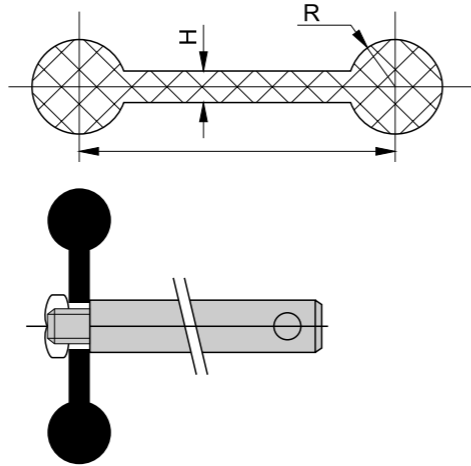
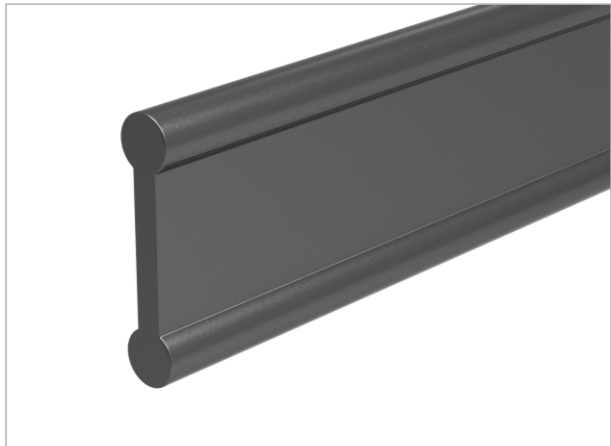
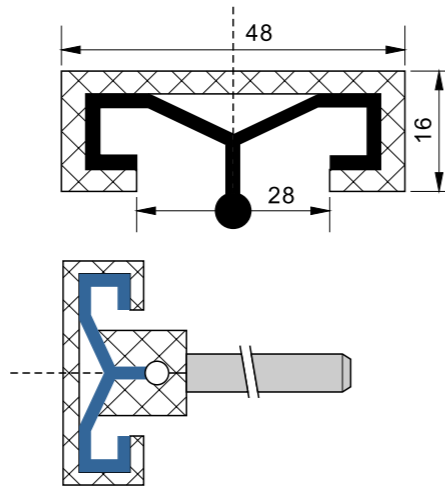
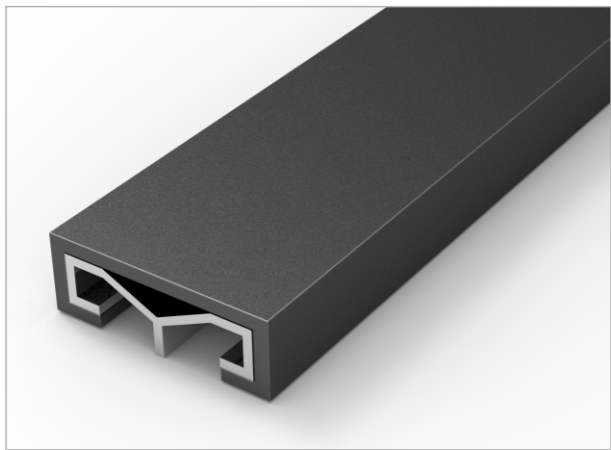


Guardrail

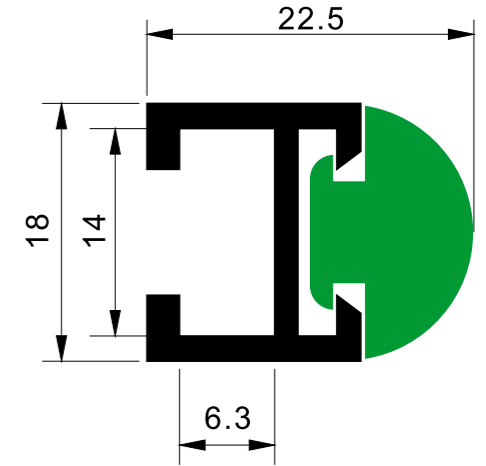


Type	Chain Type	Center for Distance mm	Radius of the ball mm	Thickness mm	Material	Colour
Dumbbell guardrail	HS-G3A	64	8	6	700,000 molecular weight ultrahigh polyethylene	Black
	HS-G3B	86	9	6		

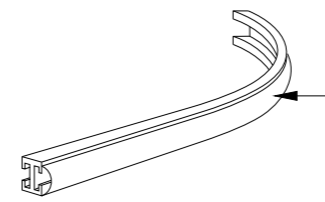


Type	Chain Type	Material	Colour
Parallel guardrail	HS-G4	700,000 molecular weight ultrahigh polyethylene	Black

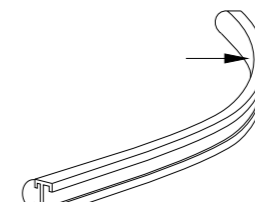
Guardrail



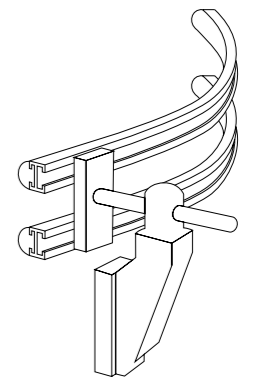
Type	Chain Type	Material	Colour
Round guardrail	HS-G6	700,000 molecular weight ultrahigh polyethylene	Green



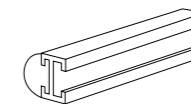
Minimum bending radius: R min 110
Internal bending



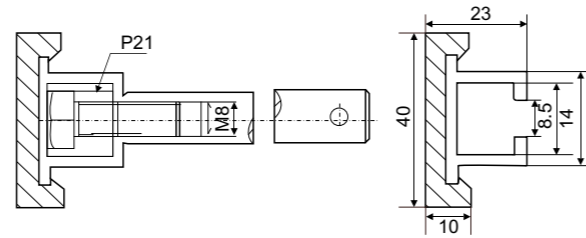
Minimum bending radius: R min 95
External bending



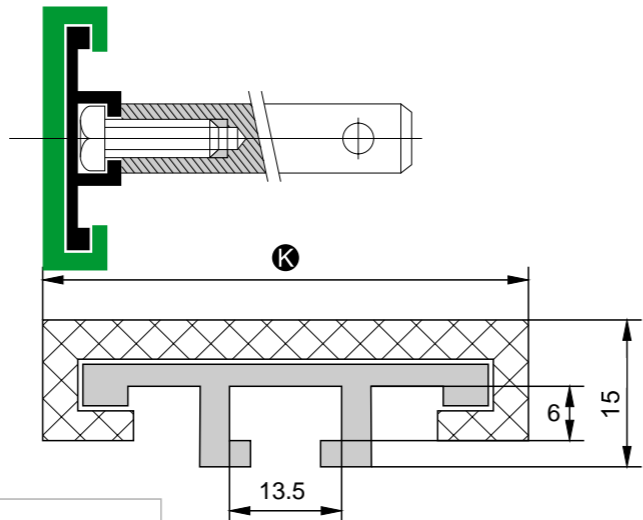
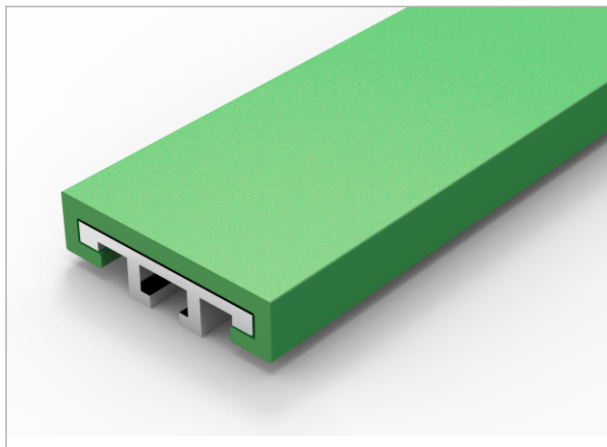
M8 outer hexagon bolt



Guardrail

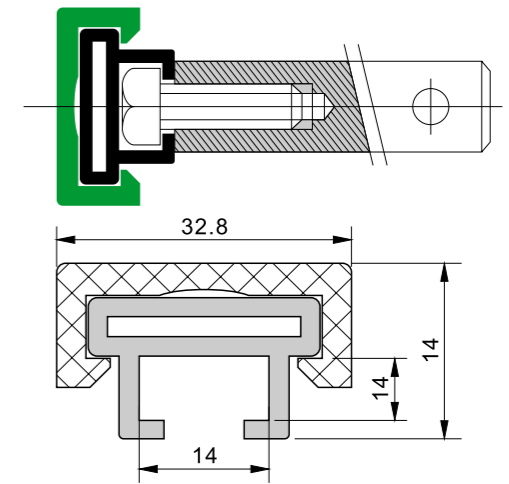


Type	Chain Type	Material	Colour
Guardrail	HS-G5	700,000 molecular weight ultrahigh polyethylene	Green

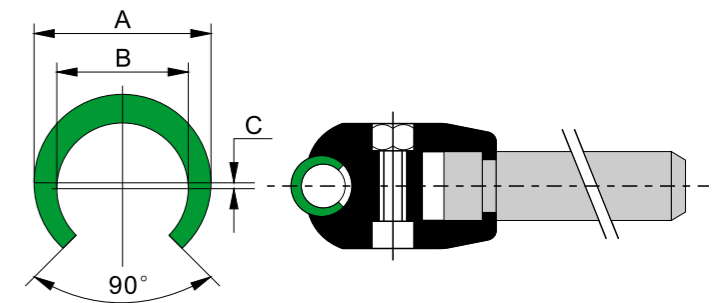


Type	Chain Type	Width(mm)	Material	Colour
Large C guardrail	HS-G7-60	60	700,000 molecular weight ultrahigh polyethylene	Green Black
	HS-G7-100	100		

Guardrail

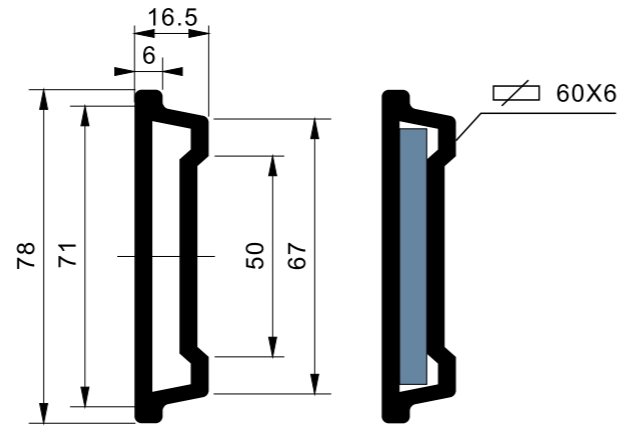
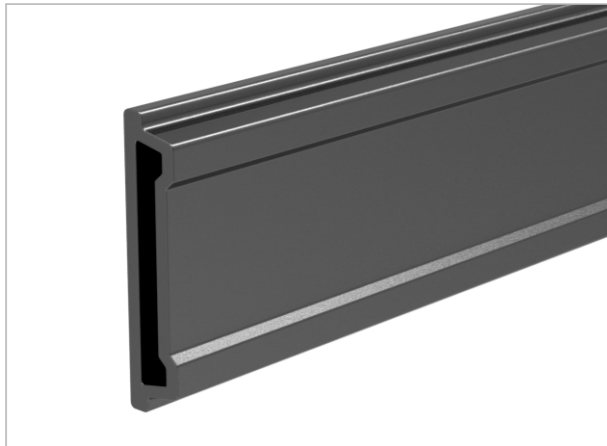


Type	Chain Type	Material	Colour
Parallel guardrail	HS-G8	700,000 molecular weight ultrahigh polyethylene	Green

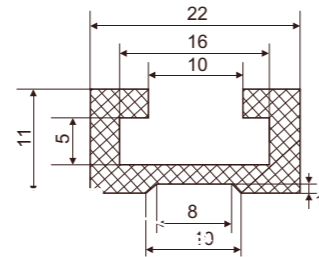


Type	Chain Type	A	B	C	Material	Colour
Small C guardrail	HS-G60A	12	8	0.5	700,000 molecular weight ultrahigh polyethylene	Green Black
	HS-G60B	15	10	0.5		
	HS-G60C	18	12	1.0		
	HS-G60D	20	26	1.5		

Guardrail

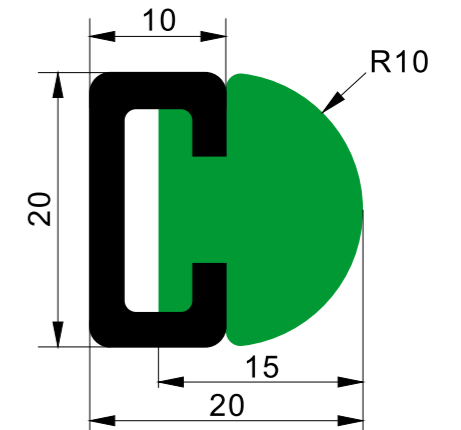
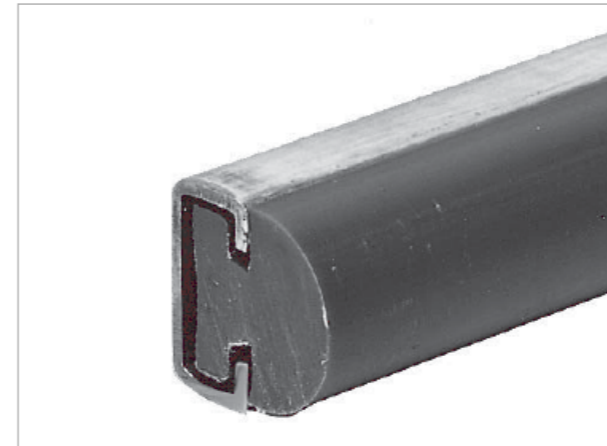


Type	Chain Type	Material	Colour
Medium-sized guardrail	HS-A191	700,000 molecular weight ultrahigh polyethylene	Black

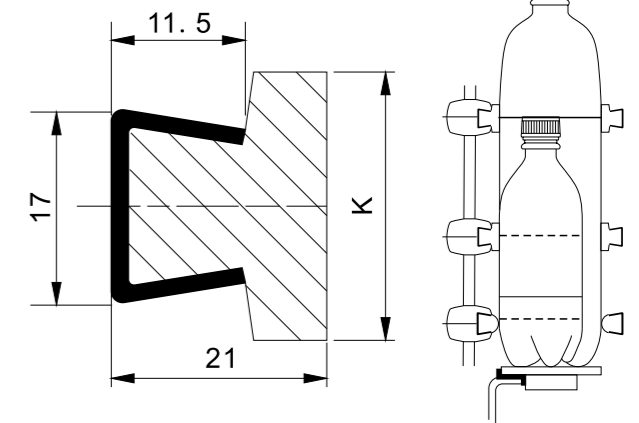


Type	Chain Type	Material	Colour
Guardrail	HS-G14	700,000 molecular weight ultrahigh polyethylene	Green

Guardrail

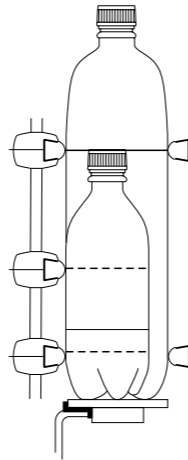
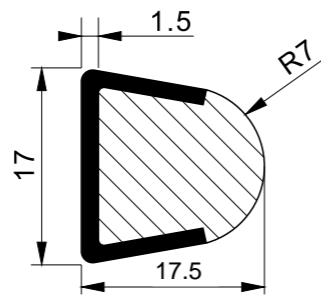
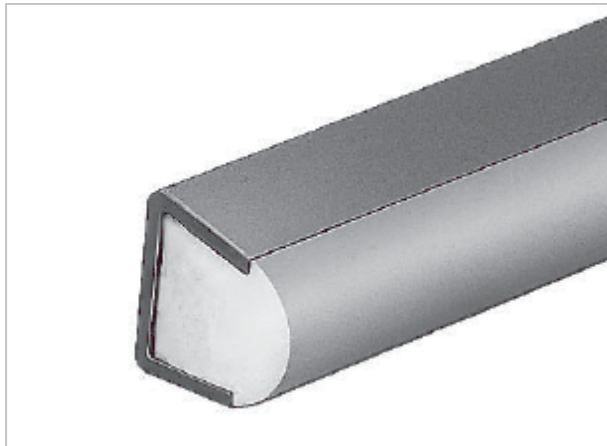


Type	Chain Type	Material	Colour	Kg
Guardrail	HS-G3-70	700,000 molecular weight ultrahigh polyethylene	Green	1.93
	HS-G3-350	3500,000 molecular weight ultrahigh polyethylene		

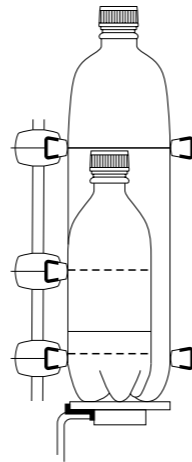
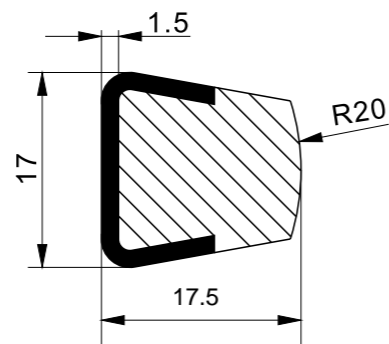


Type	Chain Type	Width	Material	Colour
Ceiling guardrail	HS-G59A-25	25	700,000 molecular weight ultrahigh polyethylene	White
	HS-G59A-31.8	31.8		
	HS-G59A-40	40		
	HS-G59B-25	25	3500,000 molecular weight ultrahigh polyethylene	
	HS-G59B-31.8	31.8		
	HS-G59B-40	40		

Guardrail

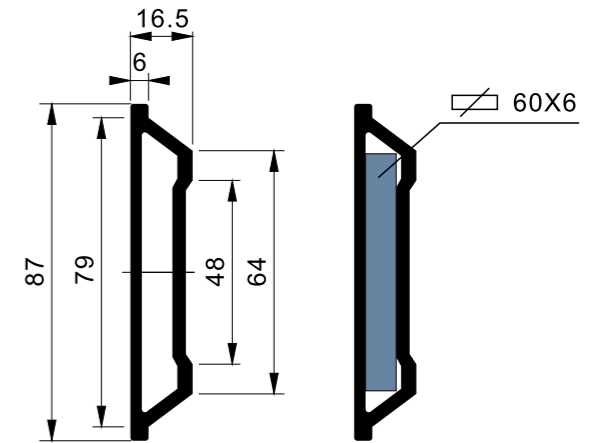


Type	Chain Type	Material	Colour
Round cap guardrail	HS-G58A	700,000 molecular weight ultrahigh polyethylene	White
	HS-G58B	3500,000 molecular weight ultrahigh polyethylene	

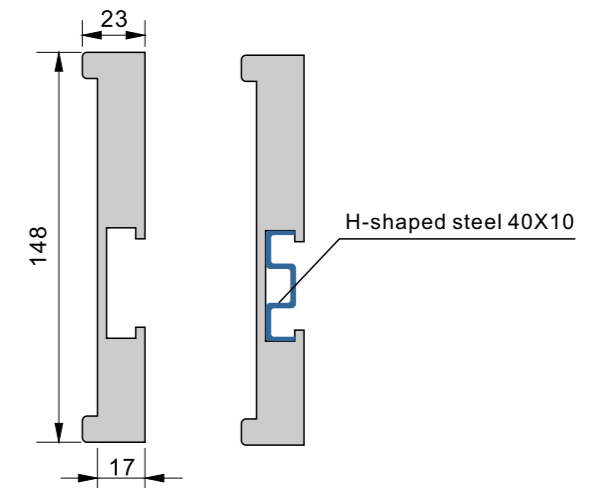
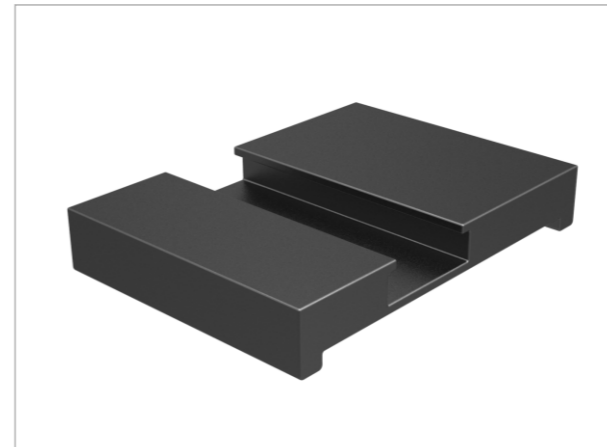


Type	Chain Type	Material	Colour
Round cap guardrail	HS-G56A	700,000 molecular weight ultrahigh polyethylene	White
	HS-G56B	3500,000 molecular weight ultrahigh polyethylene	

Guardrail

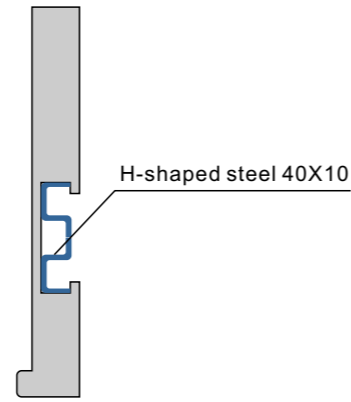
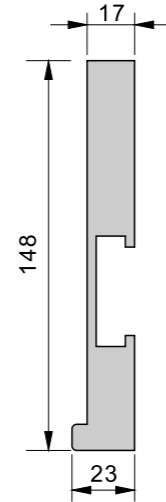
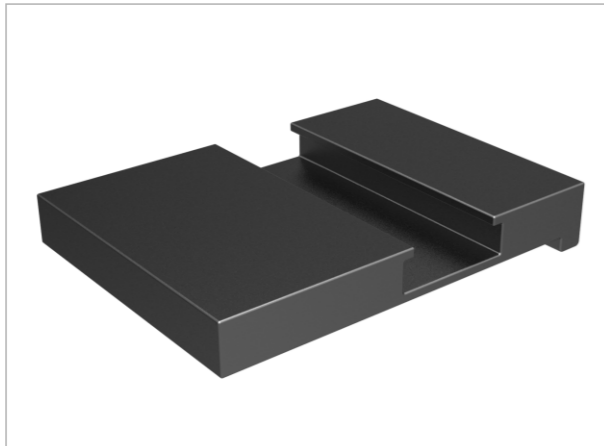


Type	Chain Type	Material	Colour
Medium-sized guardrail	HS-G26	700,000 molecular weight ultrahigh polyethylene	Black

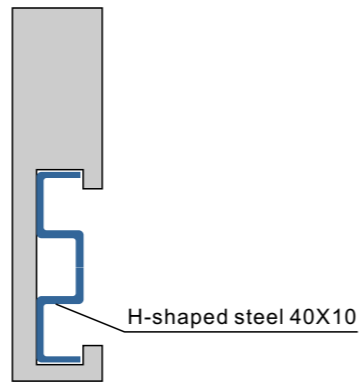
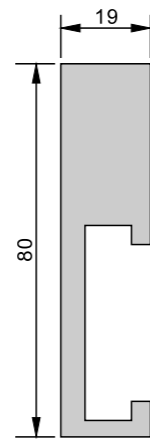
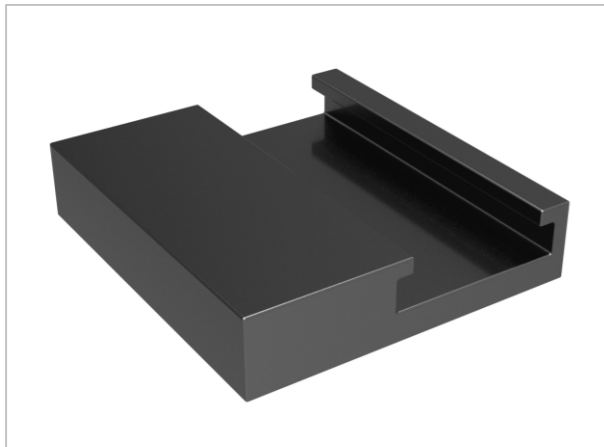


Type	Chain Type	Material	Colour
Large guardrail	HS-G28	700,000 molecular weight ultrahigh polyethylene	Black

Guardrail

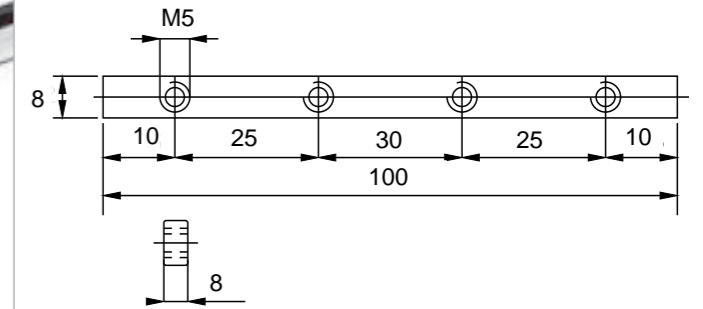


Type	Chain Type	Material	Colour
Large guardrail	HS-G30	700,000 molecular weight ultrahigh polyethylene	Black

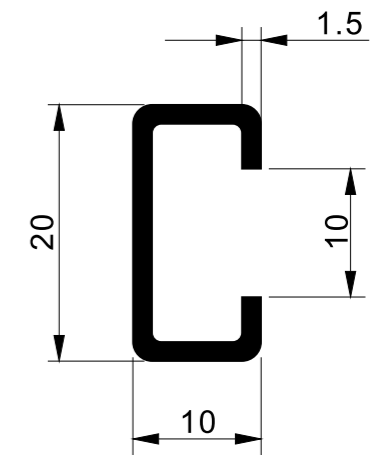
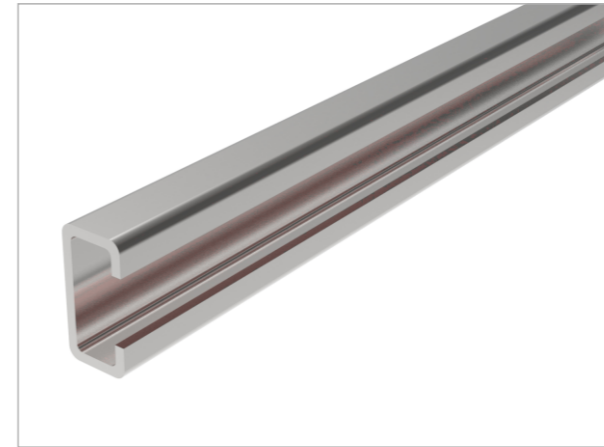
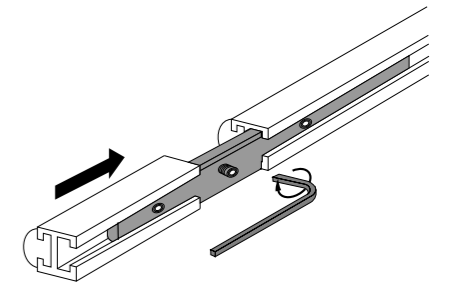


Type	Chain Type	Material	Colour
Medium-sized guardrail	HS-G32	700,000 molecular weight ultrahigh polyethylene	Black

Guardrail

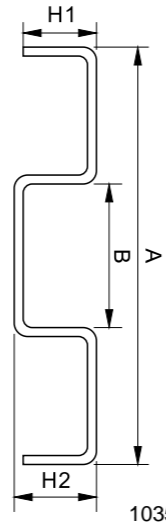
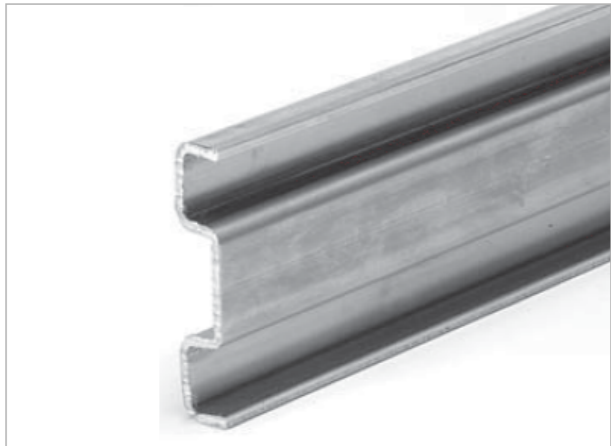


Type	Chain Type	Material
Connecting rod	HS-P6	304 stainless steel



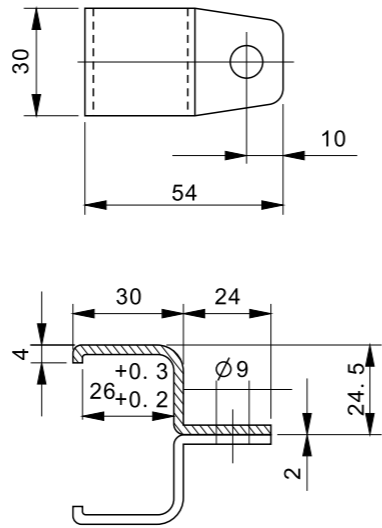
Type	Chain Type	Material	Kg
C-shaped steel	HS-G5	304 stainless steel	1.42

Guardrail



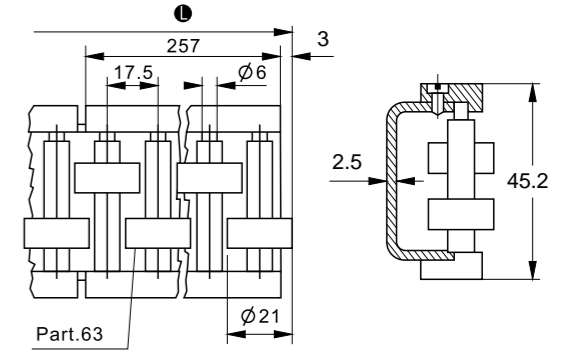
1035/2085/3129

Type	Chain Type	Width A mm	Width B mm	Thickness H1 mm	Thickness H2 mm	Material
H-shaped steel	HS-G40A	40	14	7.5	8	304 stainless steel
	HS-G40B	40	14	9.5	10	

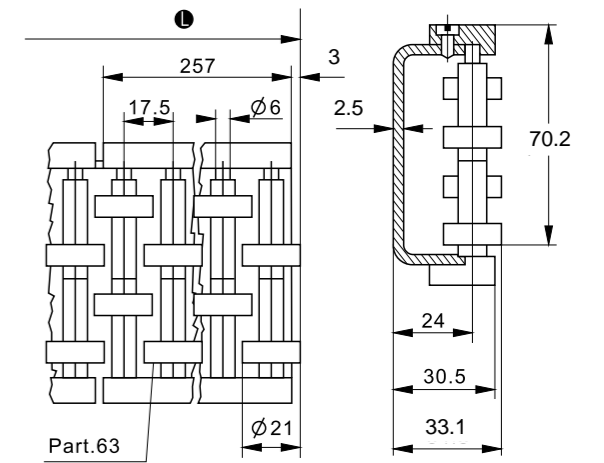


Type	Chain Type	Material
Roller Guide rail clamp	HS-P9	304 stainless steel

Guardrail

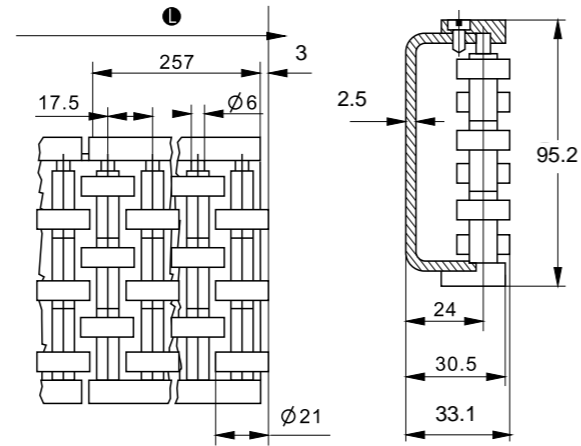


Type	Chain Type	Length mm
straight roller guardrail	HS-G9	1035/2085/3129

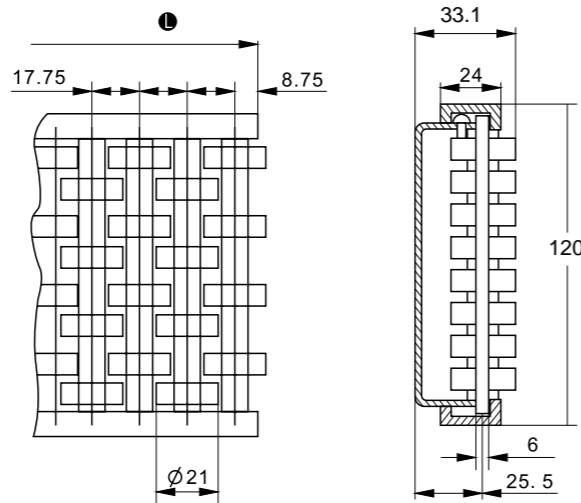
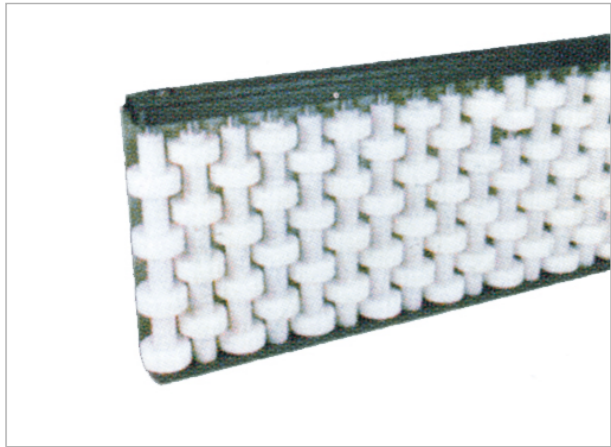


Type	Chain Type	Length mm
straight roller guardrail	HS-G10	1035/2085/3129

Guardrail

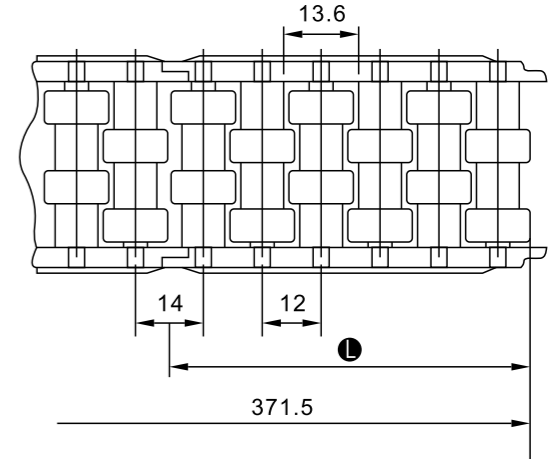


Type	Chain Type	Length ● mm
straight roller guardrail	HS-G11	1035/2085/3129

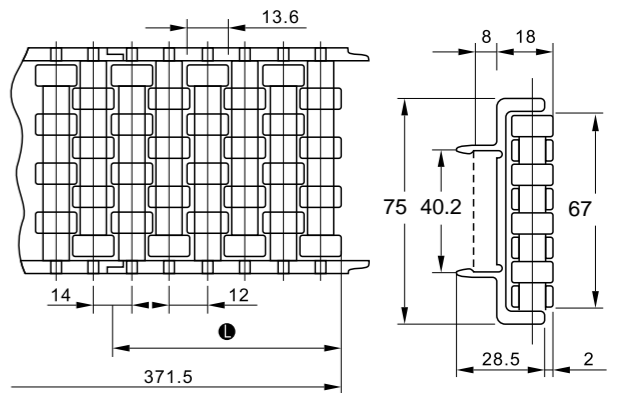
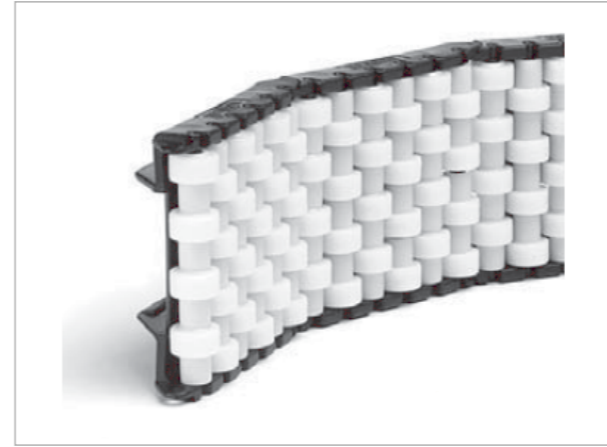
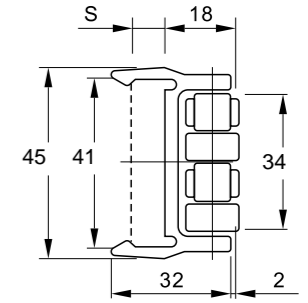


Type	Chain Type	Length ● mm
straight roller guardrail	HS-G12	1035/2085/3129

Guardrail

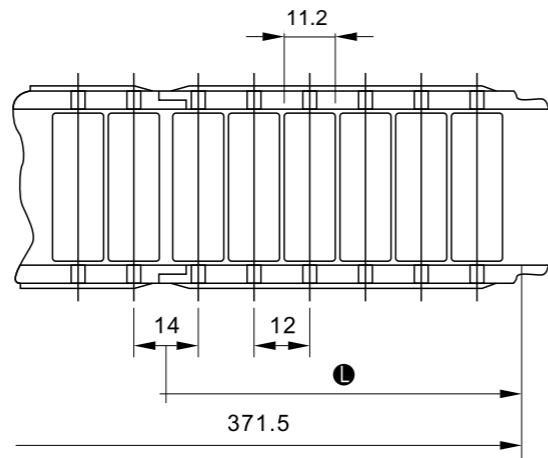


Type	Chain Type	Length ● mm
Turning roller guardrail	HS-S9	76

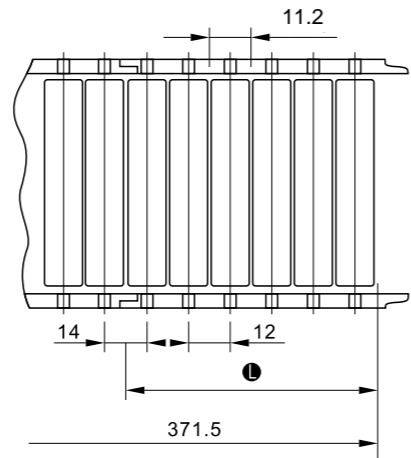
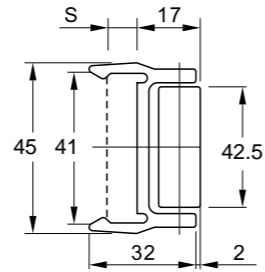


Type	Chain Type	Length ● mm
Turning roller guardrail	HS-S10	84

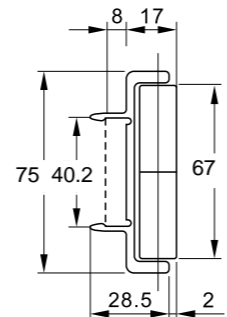
Guardrail



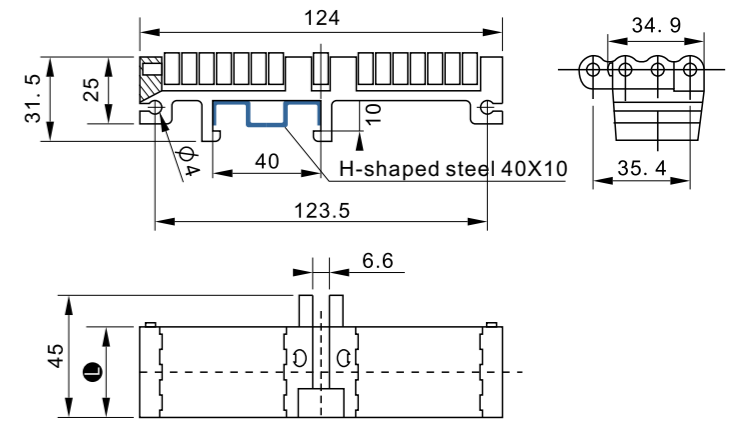
Type	Chain Type	Length ● mm
Turning roller guardrail	HS-S11	76



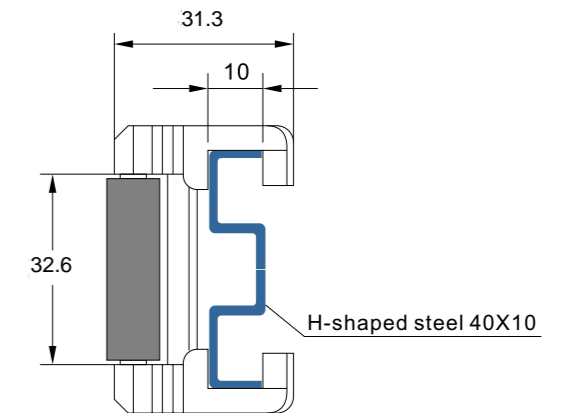
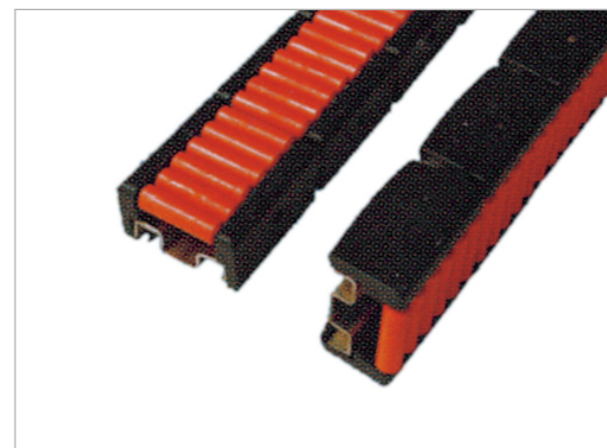
Type	Chain Type	Length ● mm
Turning roller guardrail	HS-S12	76



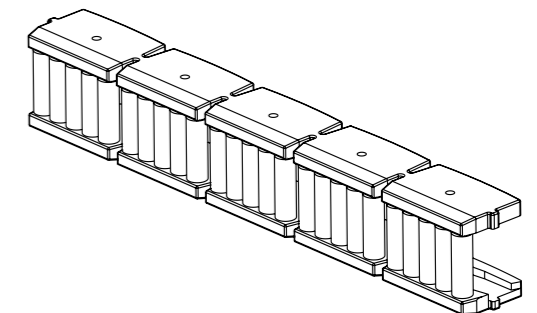
Guardrail



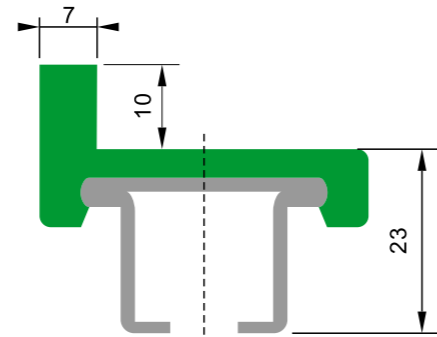
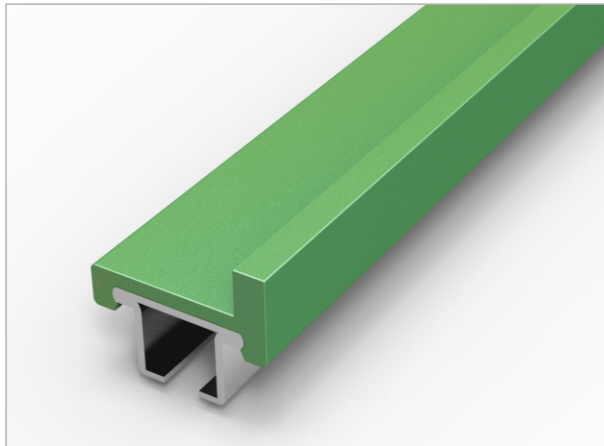
Type	Chain Type	Length ● mm
Turning roller guardrail	HS-G82	33



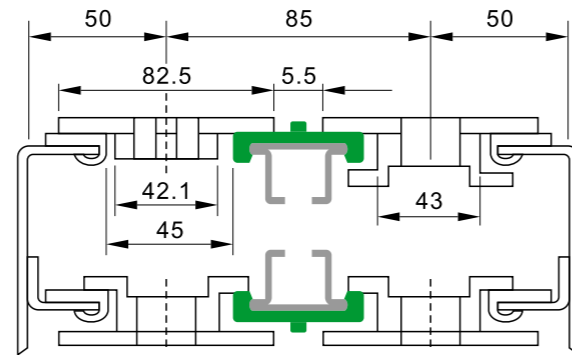
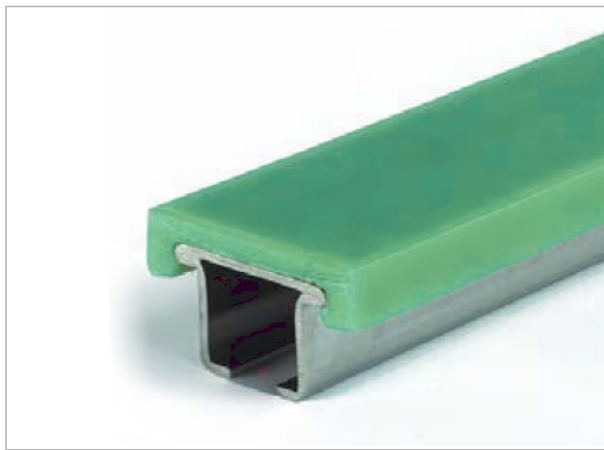
Type	Chain Type	Length ● mm
Turning roller guardrail	HS-G80	295



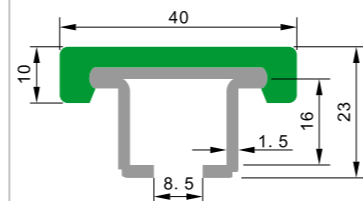
Cushion rail



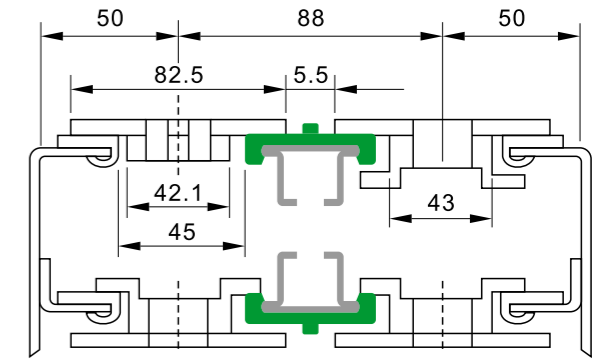
Type	Chain Type	Material	Colour
Side parallel cushion rail	HS-G18A-40	700,000 molecular weight ultrahigh polyethylene	Green
	HS-G18B-40	3500,000 molecular weight ultrahigh polyethylene	



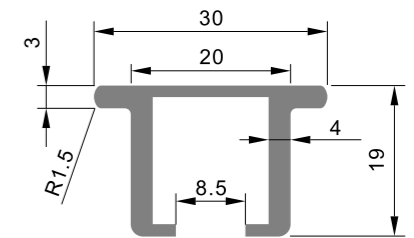
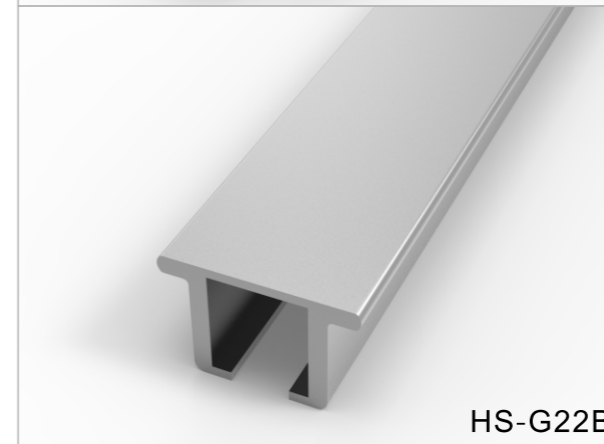
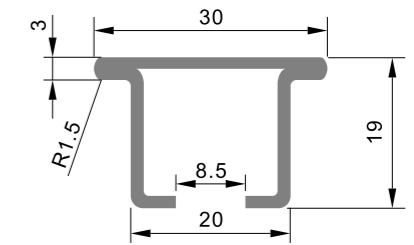
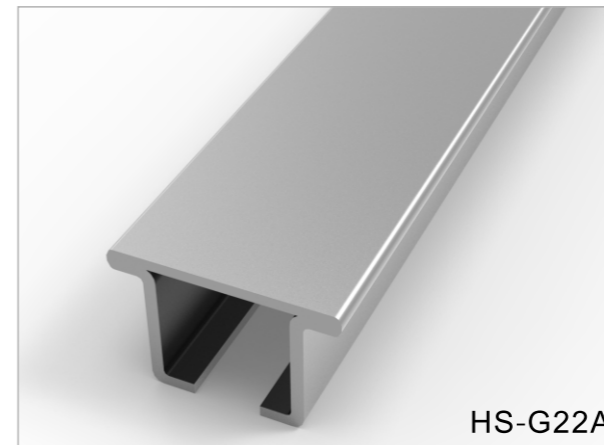
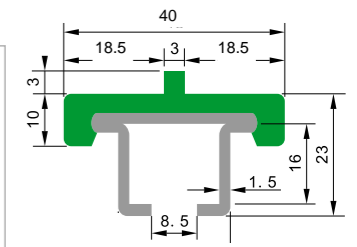
Type	Chain Type	Material	Colour
Flat parallel cushion rail	HS-G19A	700,000 molecular weight ultrahigh polyethylene +304 stainless steel	Green
	HS-G19B	3500,000 molecular weight ultrahigh polyethylene +304 stainless steel	
	HS-G19C	700,000 molecular weight ultrahigh polyethylene +Aluminum alloy	



Cushion rail

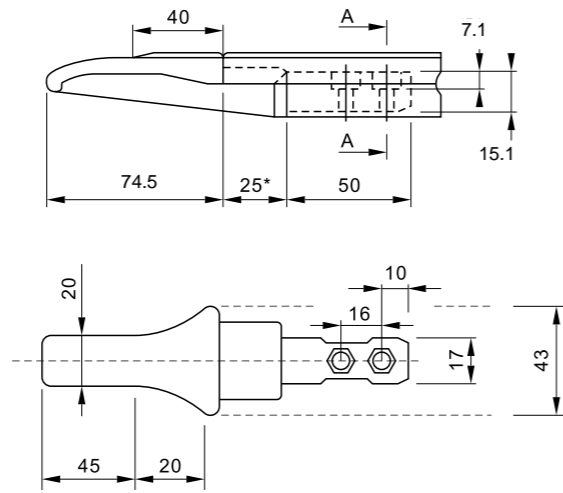


Type	Chain Type	Material	Colour
Double-track parallel cushion rail	HS-G20A	700,000 molecular weight ultrahigh polyethylene	Green
	HS-G20B	3500,000 molecular weight ultrahigh polyethylene	

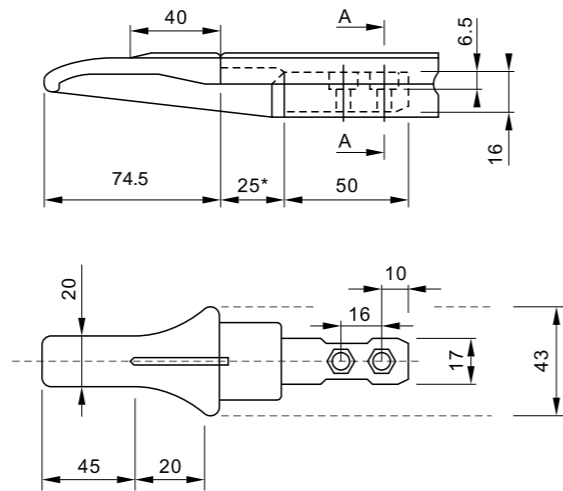


Type	Chain Type	Material	Colour
Parallel cushion rail skeleton	HS-G22A	304 stainless steel	Silvery
	HS-G22B	Aluminum alloy	

Cushion rail

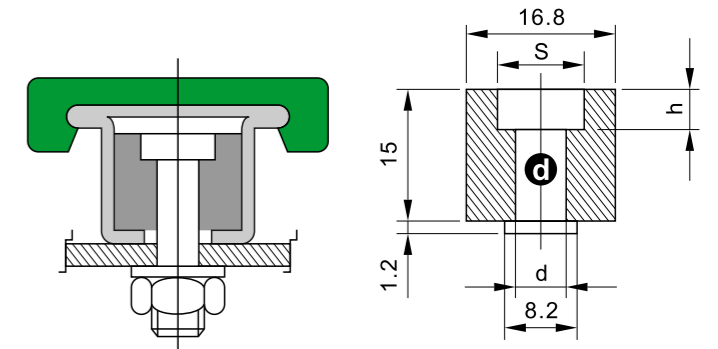


Type	Chain Type	Material	Colour
Flat bar joint	HS-P19	Plastic steel	Black

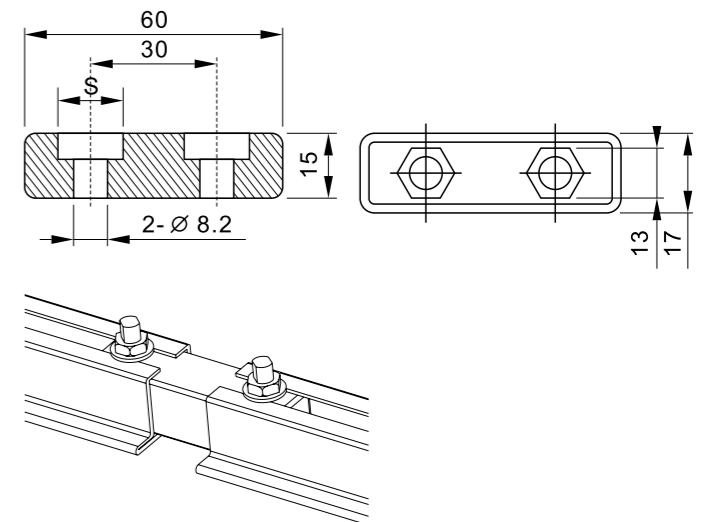


Type	Chain Type	Material	Colour
Flat bar joint	HS-P20	Plastic steel	Black

Cushion rail



Type	Chain Type	Screw bolt (S)	Material	Colour
Single fixed joint	HS-P21A	M6(304 stainless steel)	Nylon	Black
	HS-P21B	M8(304 stainless steel)		



Type	Chain Type	Screw bolt (S)	Material	Colour
Double fixed joints	HS-P22A	M8(304 stainless steel)	Nylon	Black