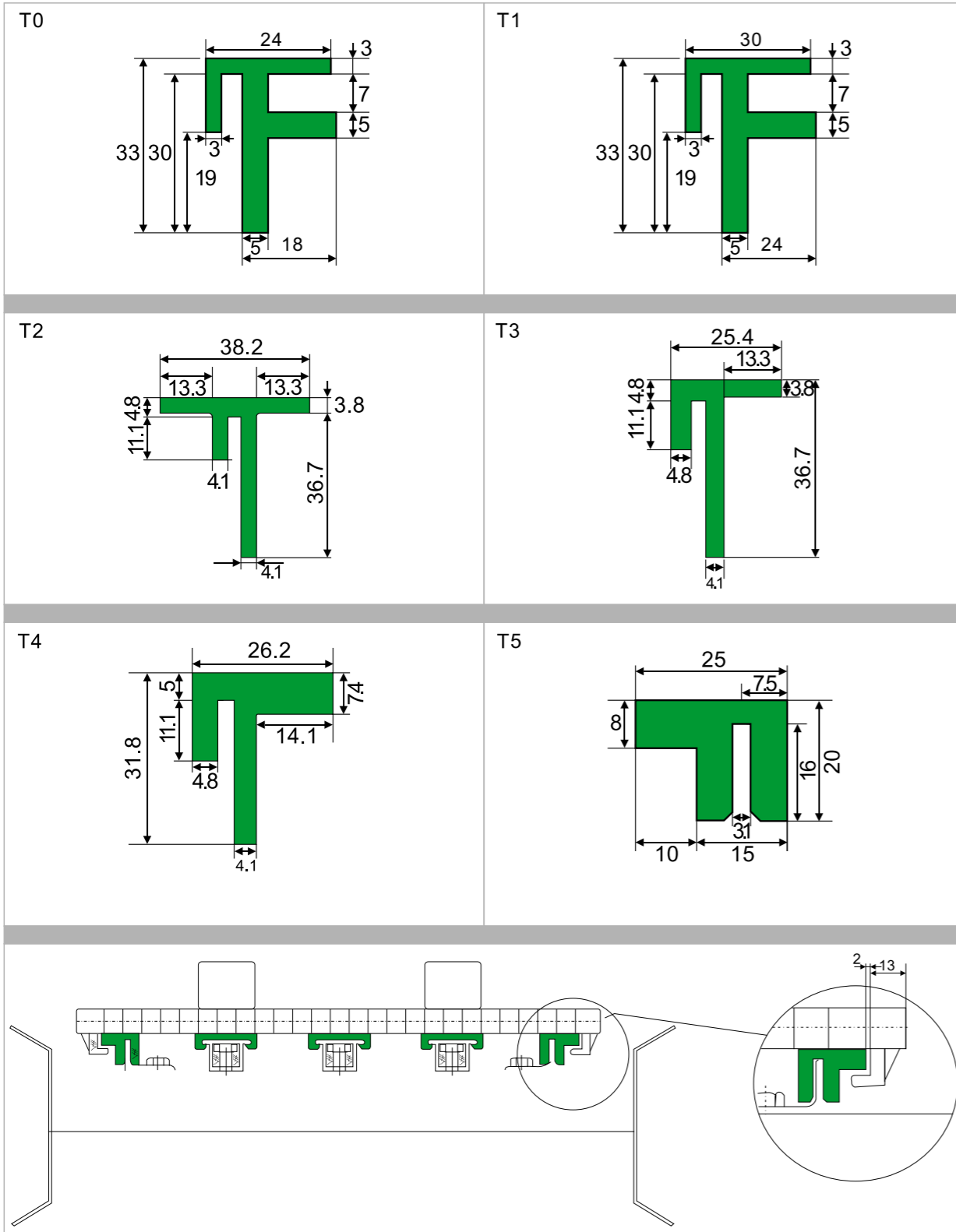
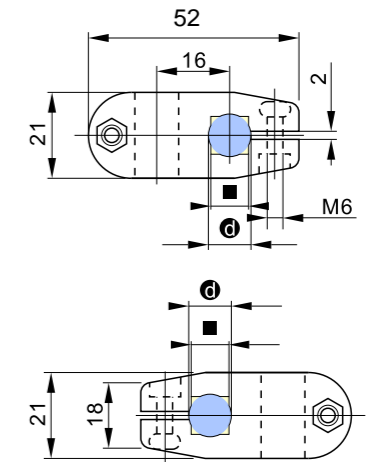


Heteroideus wearing strip

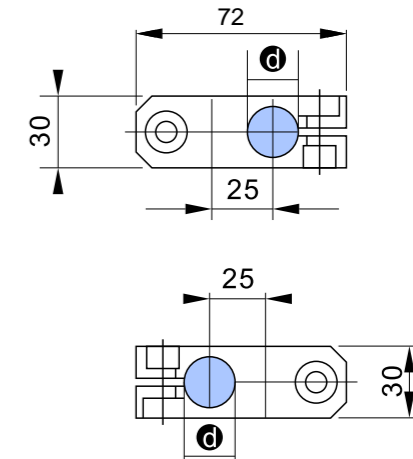
T-shaped mesh belt wing



Accessories

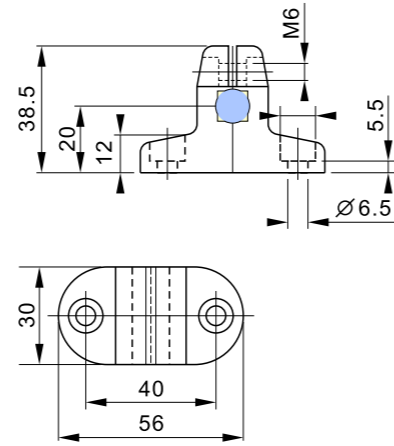


Type	Reference	Square rod mm	mm	Kg
Light power source supporter A	HS-P100-12	10	12	0.023
	HS-P101-12	12	12	

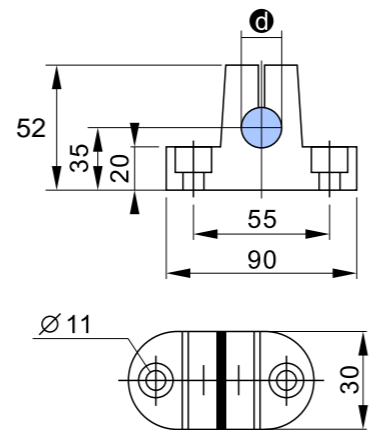


Type	Reference	hole diameter mm	Kg
Grand cross bearing holder	HS-P103-12	12	0.023
	HS-P103-14	14	
	HS-P103-16	16	

Accessories

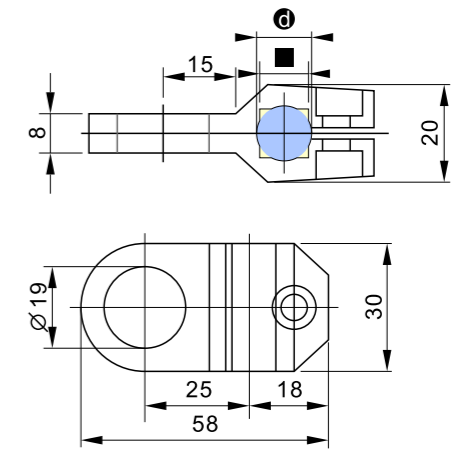


Type	Reference	Square rod ■ mm	hole diameter ⌀ mm	Kg
Light power source supporter B	HS-P102-12	10	12	0.025
	HS-P102-14	12	14	

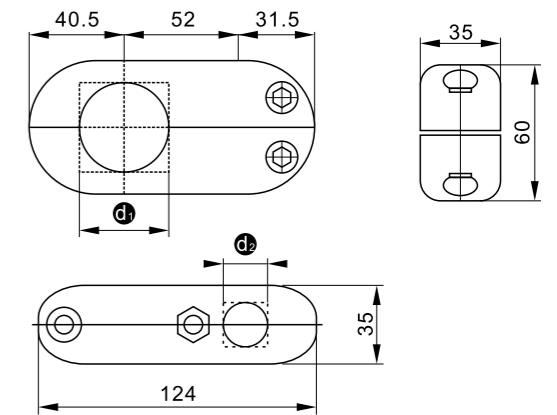


Type	Reference	hole diameter ⌀ mm	Kg
Large T-shaped holder	HS-P104-12	12	0.085
	HS-P104-16	16	
	HS-P104-20	20	

Accessories

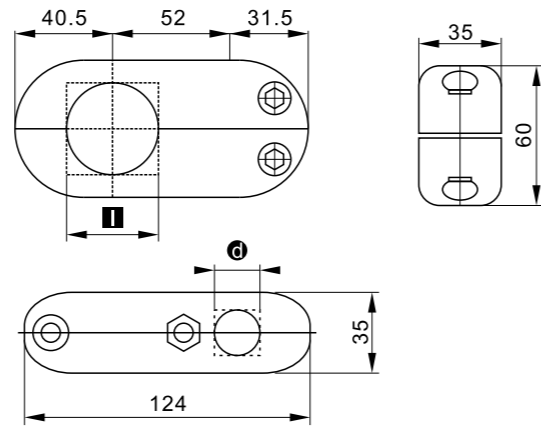


Type	Reference	Square rod ■ mm	hole diameter ⌀ mm	Kg
Sensor clamp	HS-P105-12	10	12	0.019

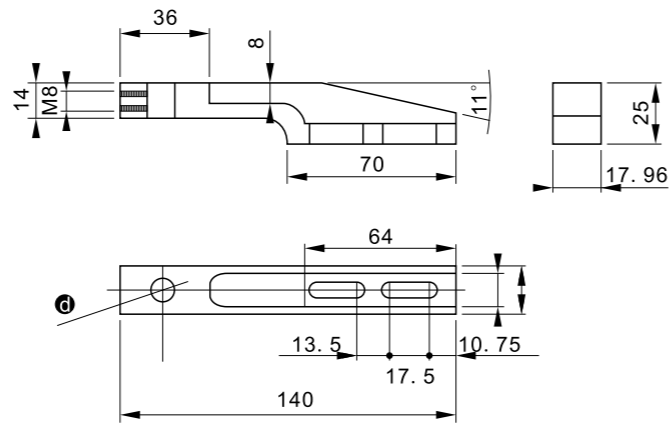


Type	Reference	Square rod ■ mm	hole diameter ⌀ mm	Kg
Round-hole cross connector	HS-P511-12	38.1	16	0.220
	HS-P511-14	38.1	20	0.205

Accessories

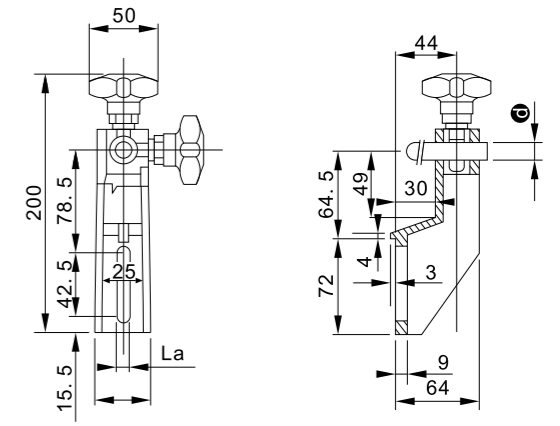


Type	Reference	Square rod □ mm	hole diameter ⌀ mm	Kg
Square-hole cross connector	HS-P512-16	10	12	0.21
	HS-P512-20	12	14	0.20

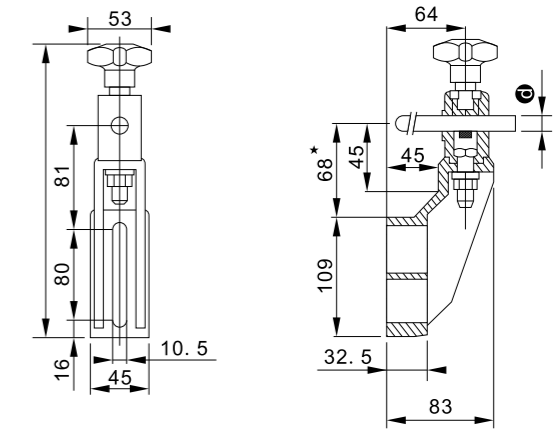


Type	Reference	hole diameter ⌀ mm	Kg
Fixed supporter	HS-P200	10	0.08

Accessories

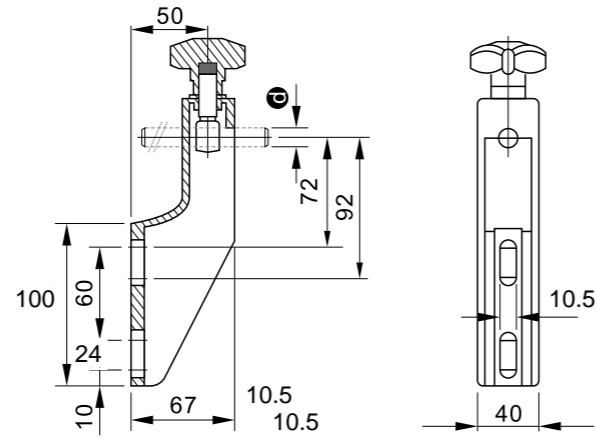


Type	Reference	Material	Kg
Fixed supporter	HS-P201-12	12	0.18
	HS-P201-14	14	
	HS-P201-16	16	

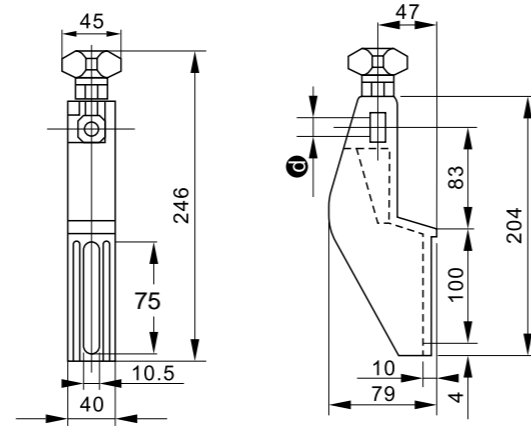


Type	Reference	Material	Kg
Adjustable supporter	HS-P202-12	12	0.26
	HS-P202-14	14	
	HS-P202-16	16	

Accessories



Type	Reference	Material	Kg
Medium-sized fixed supporter	HS-P203-12	12	0.20
	HS-P203-14	14	
	HS-P203-16	16	

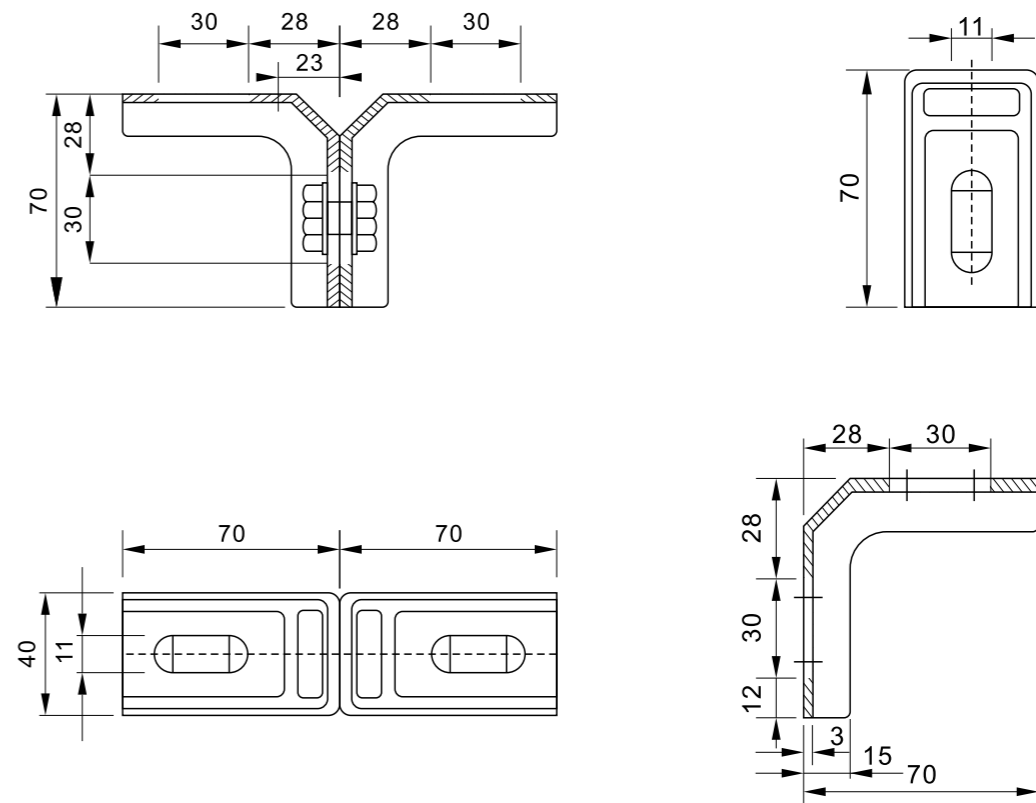


Type	Reference	Material	Kg
Large fixed supporter	HS-P204-12	12	0.25
	HS-P204-14	14	
	HS-P204-16	16	

Accessories



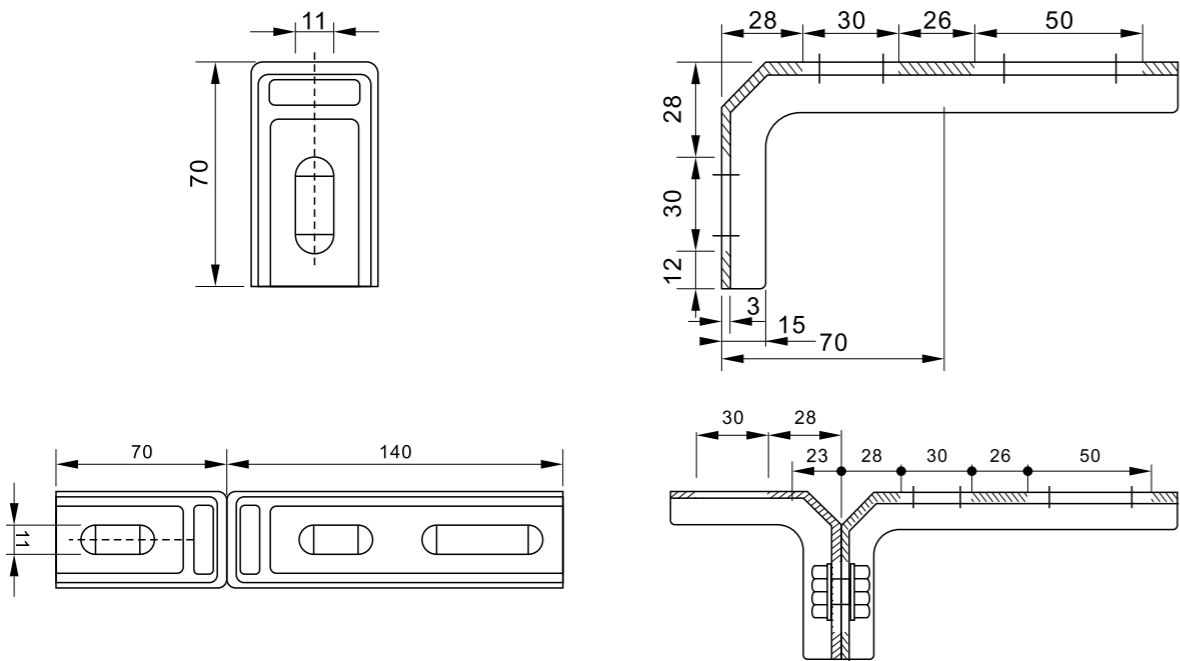
Type	Reference	Material	Kg
Panel bracket	HS-P205	304 stainless steel	0.149



Accessories



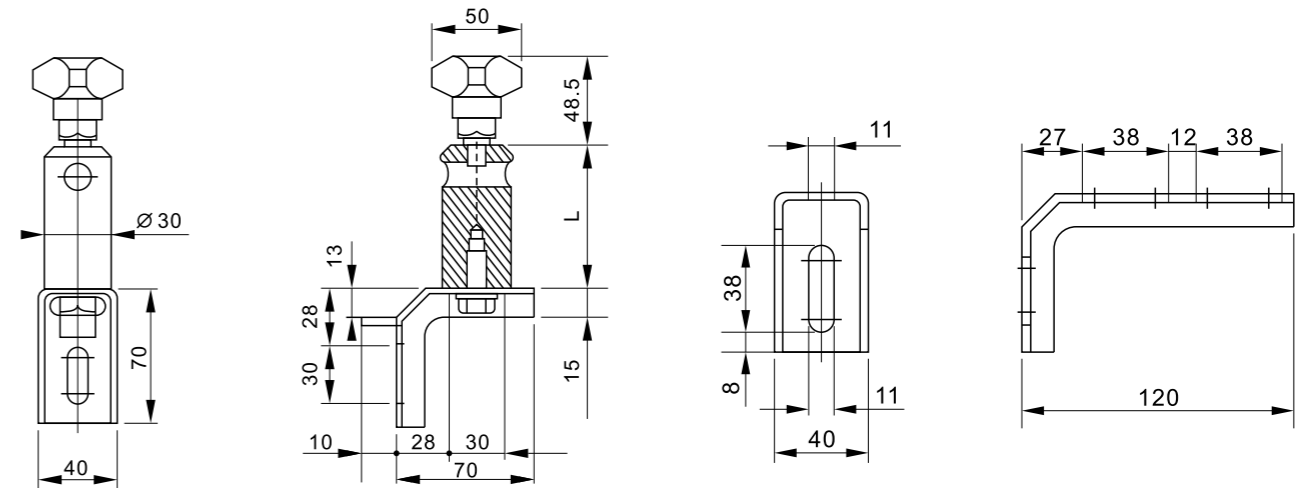
Type	Reference	Material	Kg
Panel bracket	HS-P206-1	304 stainless steel	0.230



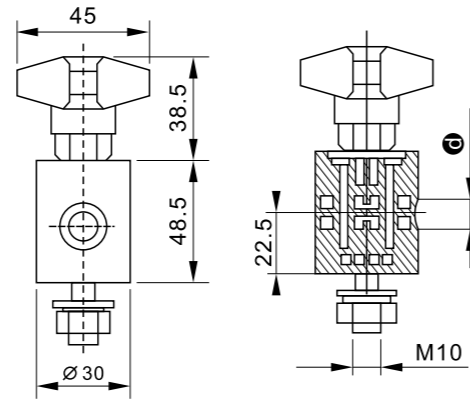
Accessories



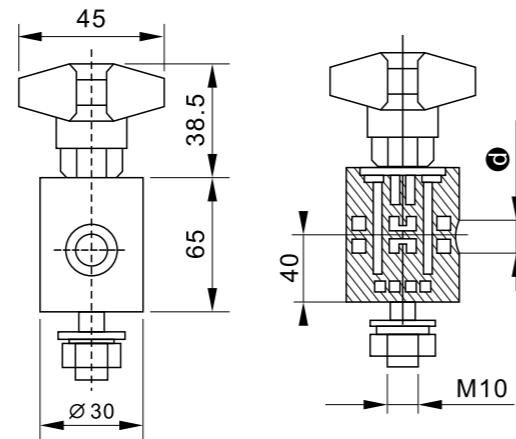
Type	Reference	Material	Kg
Panel bracket	HS-P206-2	304 stainless steel	0.203



Accessories

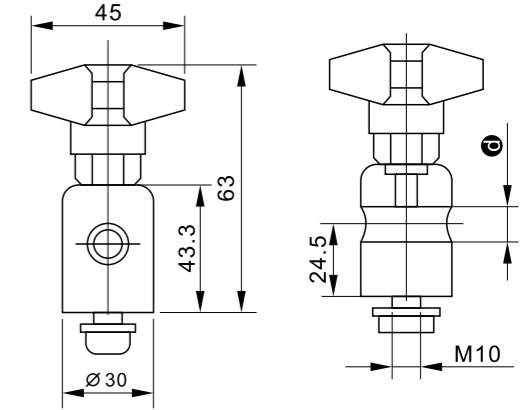


Type	Reference	Material	hole diameter \varnothing mm	Kg
Short adjustment head set	HS-P207-12	Pa6 nylon + stainless steel and copper	12	0.056
	HS-P207-14		14	
	HS-P207-16		16	

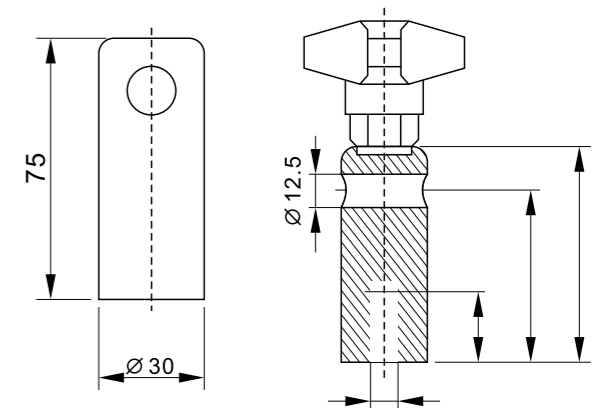


Type	Reference	Material	hole diameter \varnothing mm	Kg
Long adjustment head set	HS-P208-12	Pa6 nylon + stainless steel and copper	12	0.143
	HS-P208-14		14	
	HS-P208-16		16	

Accessories

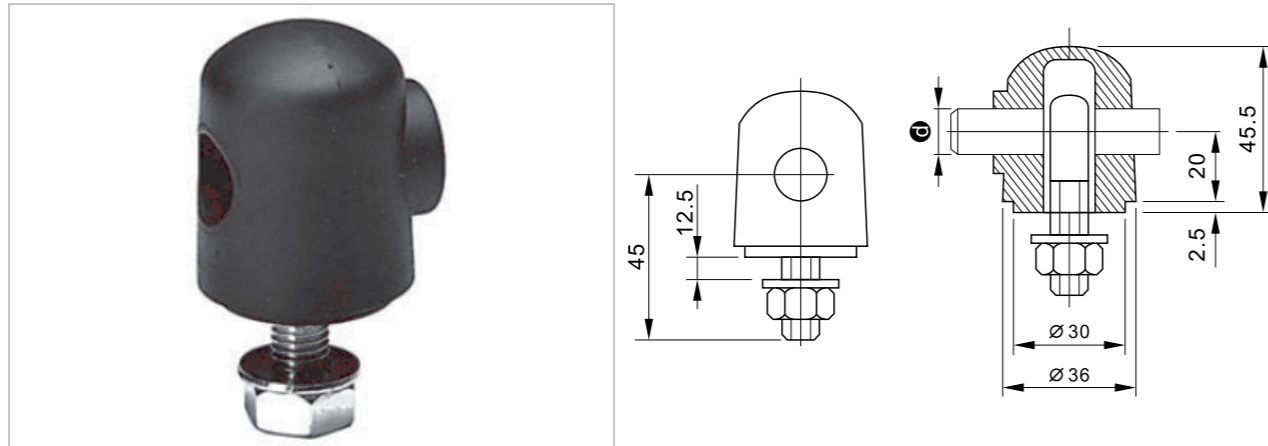


Type	Reference	Material	hole diameter \varnothing mm	Kg
Short metal fixed head	HS-P209-12	304 stainless steel	12	0.235
	HS-P209-14		14	
	HS-P209-16		16	

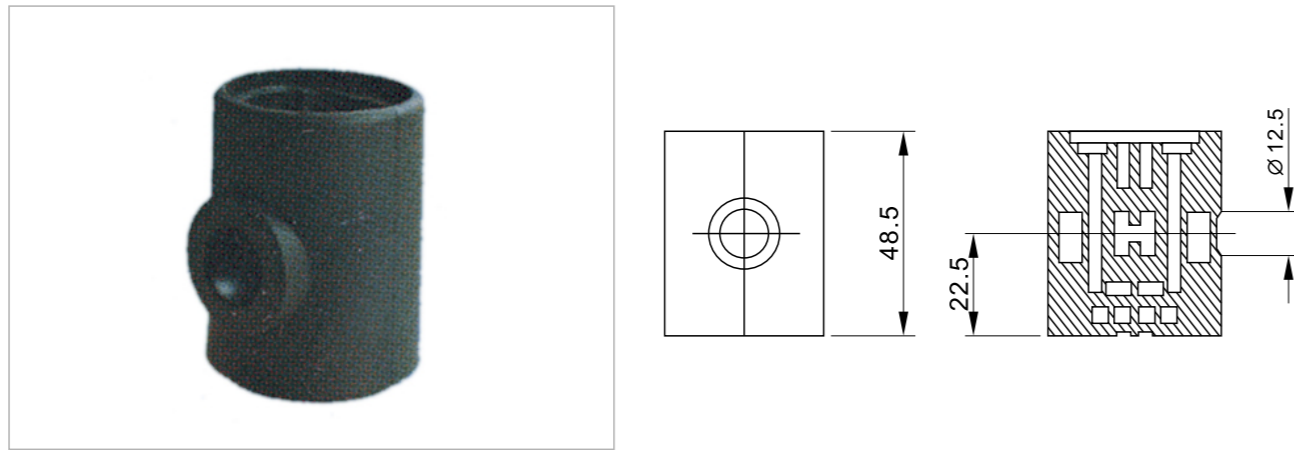


Type	Reference	Material	hole diameter \varnothing mm	Kg
Long metal fixed head	HS-P210-1	304 stainless steel	12	0.385
	HS-P210-2		14	
	HS-P210-3		16	

Accessories

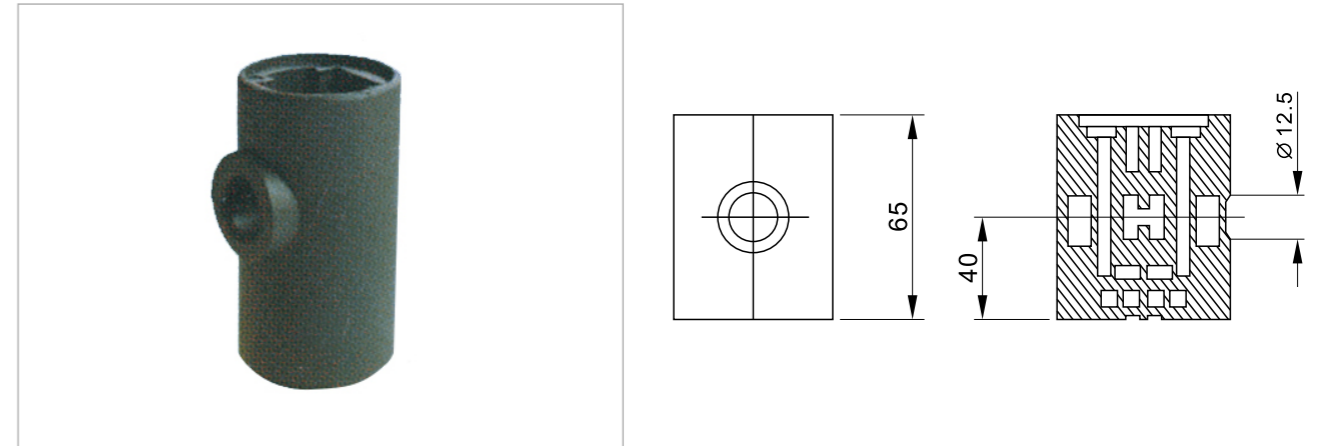


Type	Reference	Material	hole diameter ϕ mm	Kg
Short adjustment head	HS-P211-1	Pa6 Nylon	12	0.07
	HS-P211-2		14	
	HS-P211-3		16	

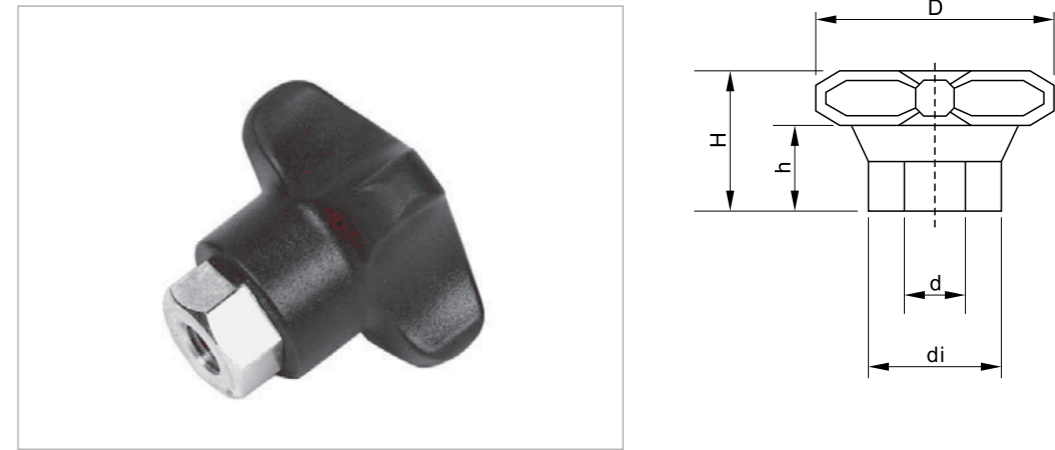


Type	Reference	Material	hole diameter ϕ mm	Kg
Short adjustment head	HS-P212-1	Pa6 Nylon	12	0.03
	HS-P212-2		14	
	HS-P212-3		16	

Accessories

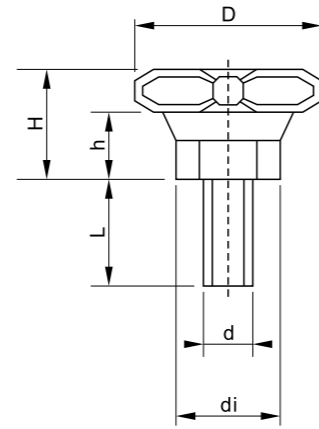


Type	Reference	Material	hole diameter ϕ mm	Kg
Long adjustment head	HS-P213-1	Pa6 Nylon	12	0.035
	HS-P213-2		14	
	HS-P213-3		16	



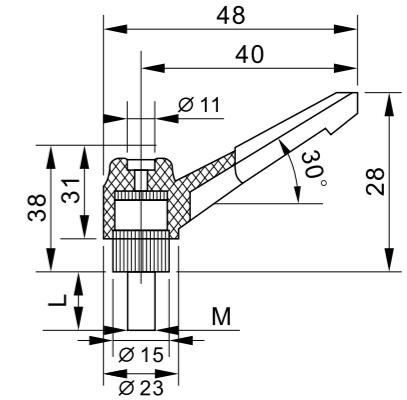
Type	Reference	D	d	H	h	di	Kg
Tightening head	HS-P216-20-N5	20mm	M5	13	7	8.5	0.013
	HS-P216-20-N5		M5				0.014
	HS-P216-20-N6	20mm	M6	21	11	17	0.015
	HS-P216-20-N6		M8				0.016
	HS-P216-20-N6	20mm	M6	25	15	19.5	0.018
	HS-P216-20-N6		M8				0.020
	HS-P216-30-N10	20mm	M10	37	19	21	0.024
	HS-P216-30-N8		M8				0.025
	HS-P216-20-N10	20mm	M10	37	19	21	0.025

Accessories

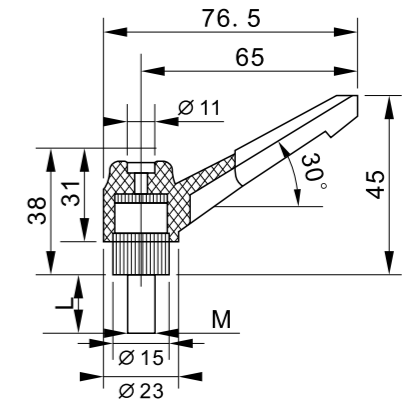


Type	Reference	D	d	L	H	h	di	Kg
Tightening head	HS-P215-20-M4*15	20mm	M4	15	13	7	8.5	0.015
	HS-P215-20-M4*20			20				0.015
	HS-P215-20-M4*25			25				0.015
	HS-P215-20-M5*15		M5	15				0.015
	HS-P215-20-M5*20			20				0.015
	HS-P215-20-M5*25			25				0.015
	HS-P215-20-M5*40	30mm	M5	40	21	11	17	0.010
	HS-P215-20-M6*16			16				0.012
	HS-P215-20-M6*25		M6	20				0.015
	HS-P215-20-M8*20			M8				20
	HS-P215-20-M8*30		30					0.022
	HS-P215-20-M8*15		40mm	M8				15
	HS-P215-20-M8*20	20			0.030			
	HS-P215-20-M10*20	M10		20	0.040			
	HS-P215-20-M10*30			30	0.045			
	HS-P215-20-M8*25	50mm	M8	25	32	19	21	0.047
HS-P215-20-M10*25	M10			25				0.050
HS-P215-20-M10*30			30	0.055				

Accessories

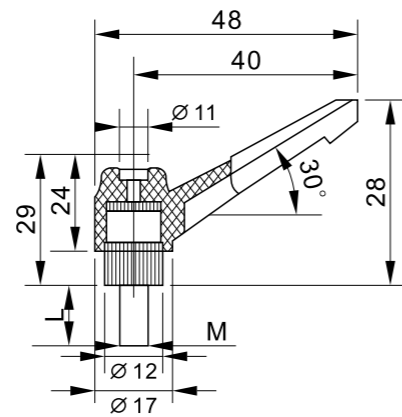


Type	Reference	M	L	Kg	Material
Small universal wrench	HS-P230-W4*14	4	14	0.023	Strengthened nylon(PA66) handle and stainless screws(SUS304)
	HS-P230-W4*20		20	0.025	
	HS-P230-W5*20	5	20	0.028	
	HS-P230-W6*20		20	0.030	
	HS-P230-W6*25	6	25	0.030	

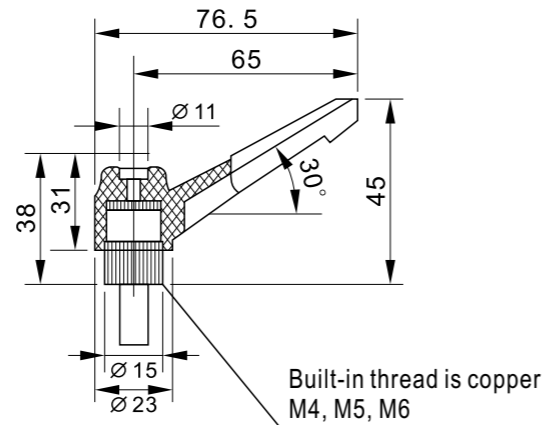


Type	Reference	M	L	Kg	Material
Large universal wrench	HS-P240-W8*20	8	20	0.035	Strengthened nylon(PA66) handle and stainless screws(SUS304)
	HS-P240-W8*30		30	0.040	
	HS-P240-W8*50		50	0.050	
	HS-P240-W10*30	10	30	0.056	
	HS-P240-W10*60		60	0.080	

Accessories

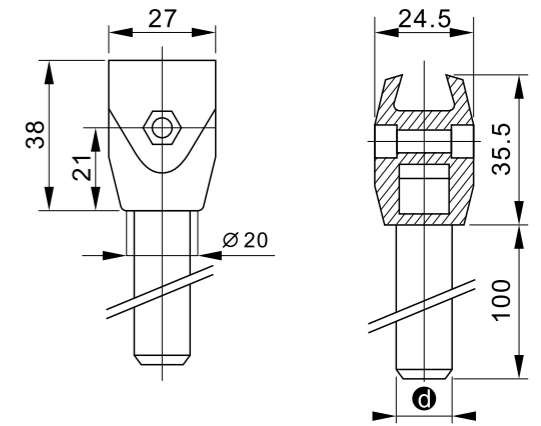


Type	Reference	M	L	Kg	Material
Internal crest small universal wrench	HS-P250-W-N4	4	10	0.020	Strengthened nylon handle (PA66)
	HS-P250-W-N5	5	10	0.025	
	HS-P250-W-N6	6	10	0.030	

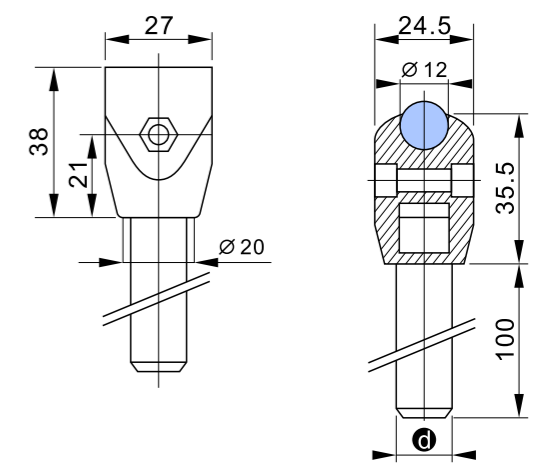


Type	Reference	M	L	Kg	Material
Internal crest large universal wrench	HS-P260-W-N8	8	15	0.030	Strengthened nylon handle (PA66)
	HS-P260-W-N10	10	15	0.040	

Accessories

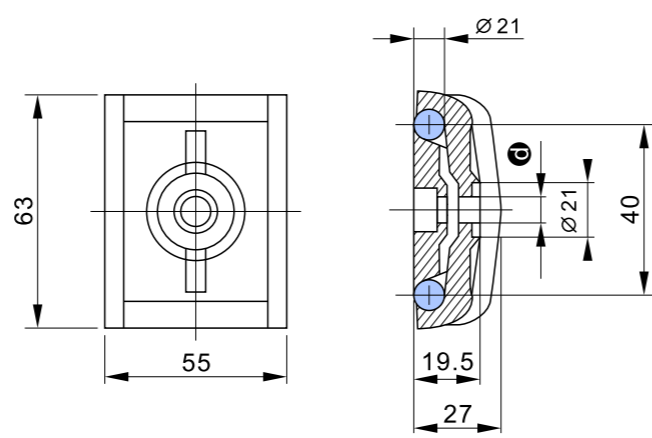


Type	Reference	Material	hole diameter ϕ mm	Kg
Single clamp	HS-P300-12	Pa6 Nylon+ 304 stainless steel	12	0.11
	HS-P300-14		14	
	HS-P300-16		16	

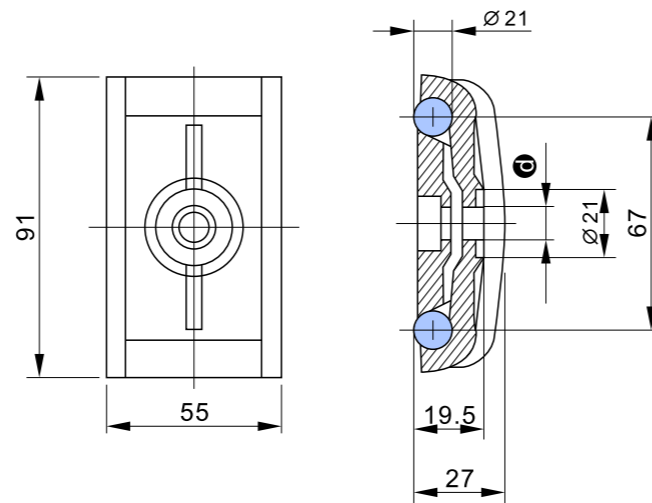


Type	Reference	Material	hole diameter ϕ mm	Kg
Single clamp	HS-P301-12	Pa6 Nylon+ 304 stainless steel	12	0.11
	HS-P301-14		14	
	HS-P301-16		16	

Accessories

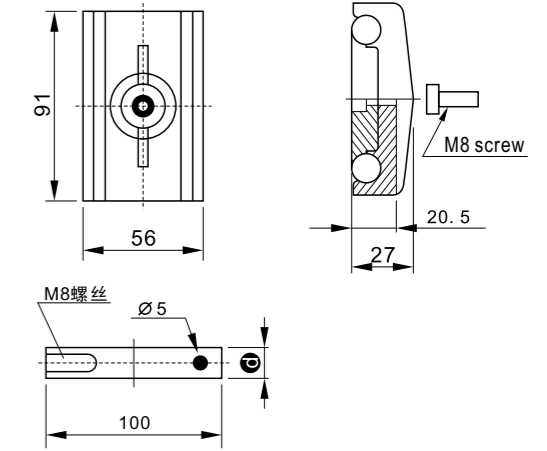


Type	Reference	Material	hole diameter \varnothing mm	Kg
Double clamp A	HS-P302-12	Pa6 Nylon+ 304 stainless steel	12	0.17
	HS-P302-14		14	
	HS-P302-16		16	

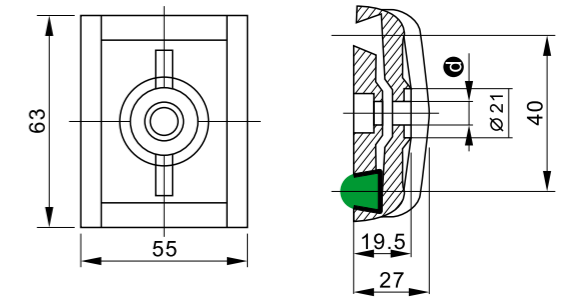


Type	Reference	Material	hole diameter \varnothing mm	Kg
Double clamp B	HS-P303-12	Pa6 Nylon+ 304 stainless steel	12	0.18
	HS-P303-14		14	
	HS-P303-16		16	

Accessories



Type	Reference	Material	hole diameter \varnothing mm	Kg
Double clamp E	HS-P310-12	Pa6 Nylon+ 304 stainless steel	12	0.18
	HS-P310-14		14	
	HS-P310-16		16	

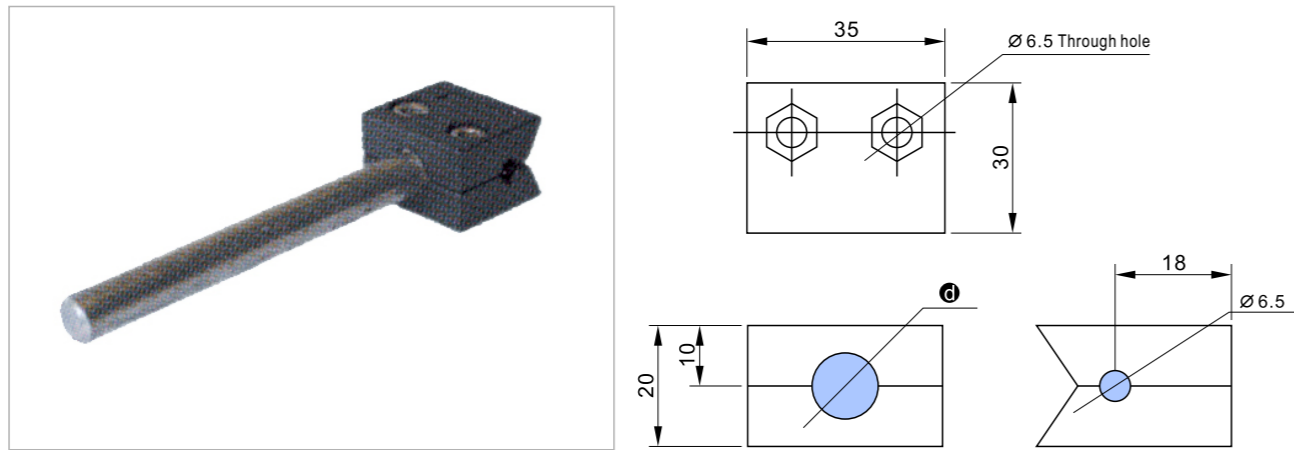


Type	Reference	Material	hole diameter \varnothing mm	Kg
Double clamp C	HS-P307-12	Pa6 Nylon+ 304 stainless steel	12	0.16
	HS-P307-14		14	
	HS-P307-16		16	

Accessories



Type	Reference	Material	hole diameter \varnothing mm	Kg
Double clamp D	HS-P308-12	Pa6 Nylon+ 304 stainless steel	12	0.18
	HS-P308-14		14	
	HS-P308-16		16	

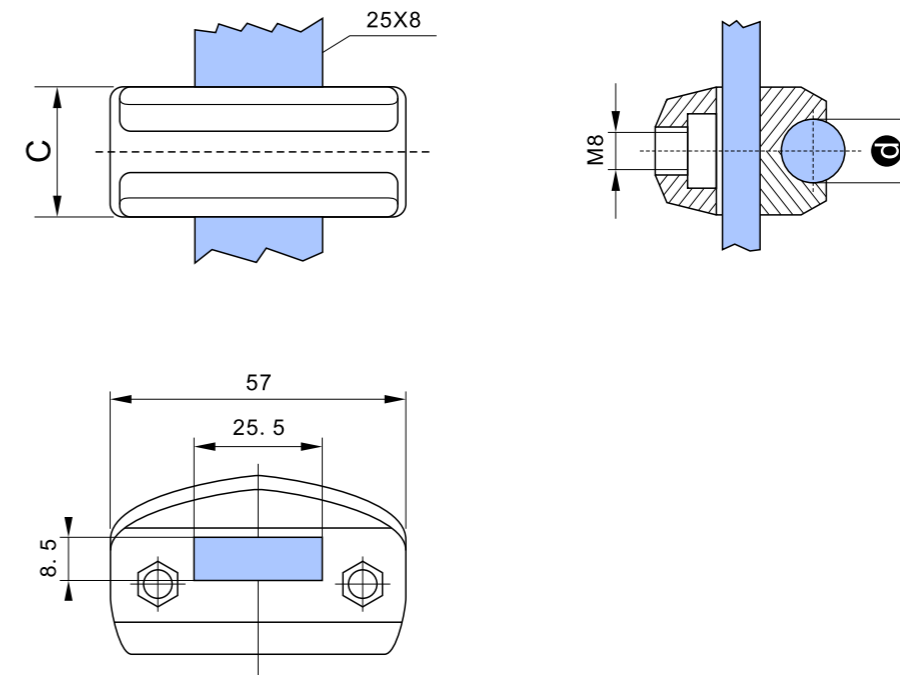


Type	Reference	Material	hole diameter \varnothing mm	Kg
Square clamp D	HS-P304-12	Pa6 Nylon+ 304 stainless steel	12	0.11
	HS-P304-14		14	
	HS-P304-16		16	

Accessories



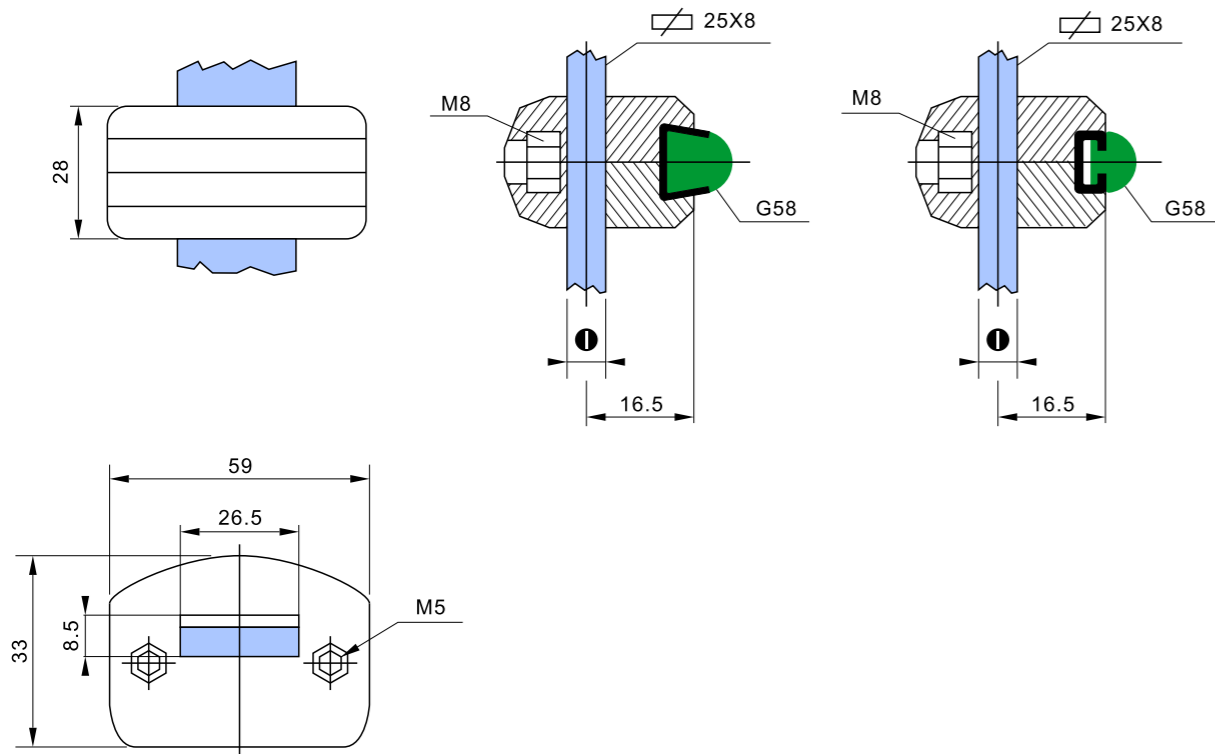
Type	Reference	Material	hole diameter \varnothing mm	Kg
Adjustable single clamp A	HS-P305-12	Pa6 Nylon+ 304 stainless steel	12.0	0.045
	HS-P305-12.7		12.7	



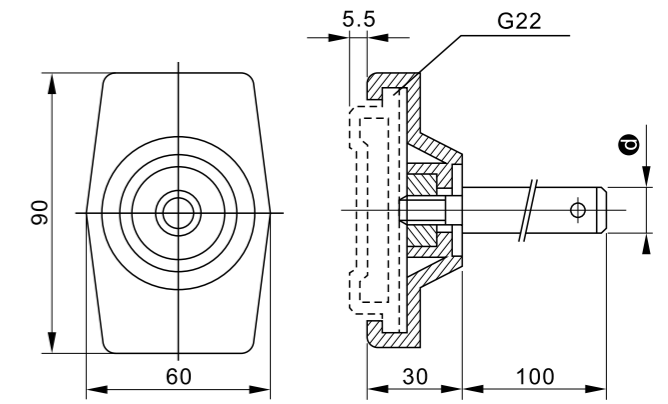
Accessories



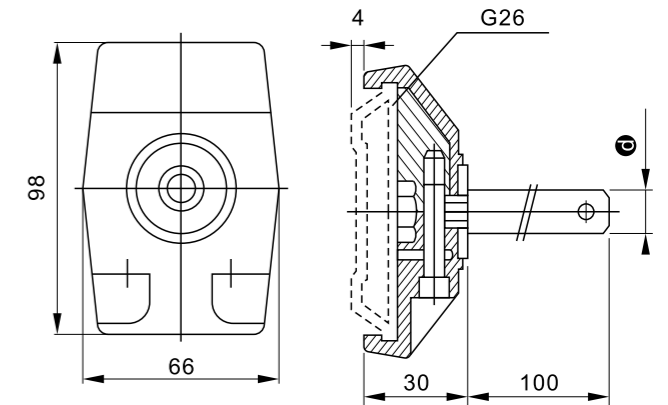
名称 Type	规格 Reference	材质 Material	自重 Kg
djustable single clamp B	HS-P306	Pa6 Nylon+ 304 stainless steel	0.04



Accessories



Type	Reference	Material	hole diameter ① mm	Kg
Hollow guardrail clamp	HS-P311-12	Pa6 Nylon+ 304 stainless steel	12	0.18
	HS-P311-14		14	0.22
	HS-P311-16		16	0.25



Type	Reference	Material	hole diameter ① mm	Kg
Hollow guardrail clamp	HS-P312-12	Pa6 Nylon+ 304 stainless steel	12	0.22
	HS-P312-14		14	0.25
	HS-P312-16		16	0.29