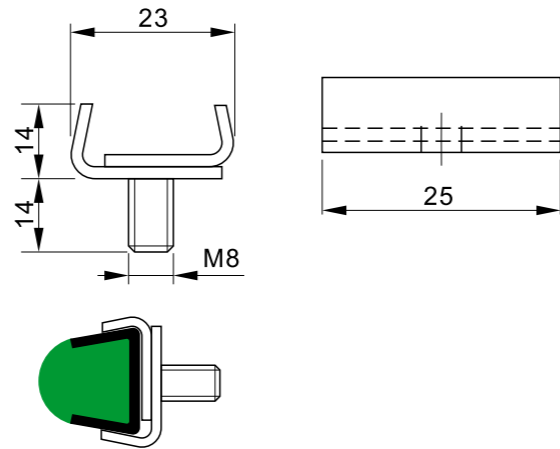
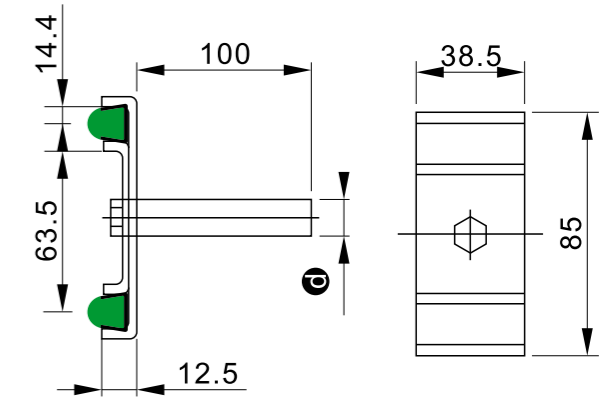


Accessories

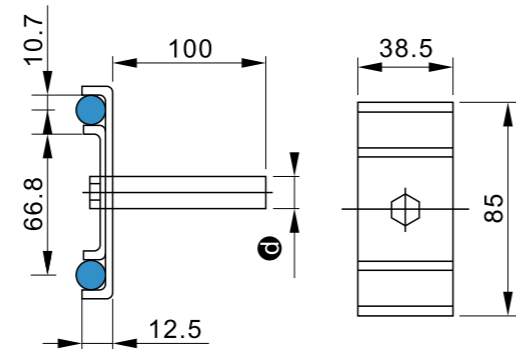


Type	Reference	Material	Kg
Guardrail clamp	HS-P313	304 stainless steel	0.05

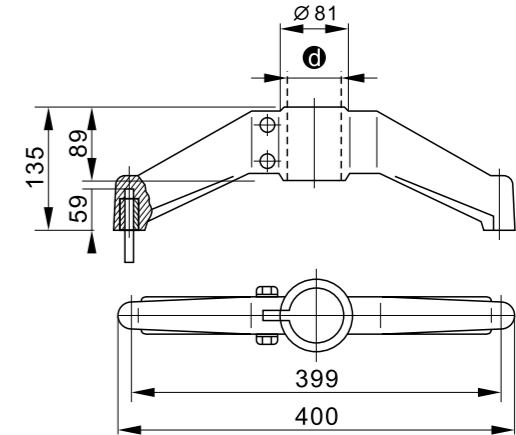
Accessories



Type	Reference	Material	hole diameter \varnothing mm	Kg
Guardrail clamp	HS-P316-12	304 stainless steel	12	0.25
	HS-P316-14		14	0.28
	HS-P316-16		16	0.32



Type	Reference	Material	hole diameter \varnothing mm	Kg
Guardrail clamp	HS-P315-12	304 stainless steel	12	0.29
	HS-P315-14		14	0.32
	HS-P315-16		16	0.36

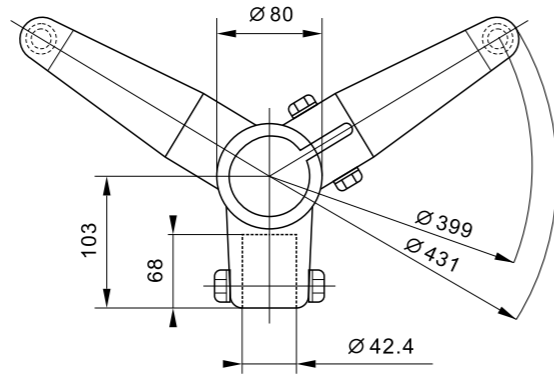
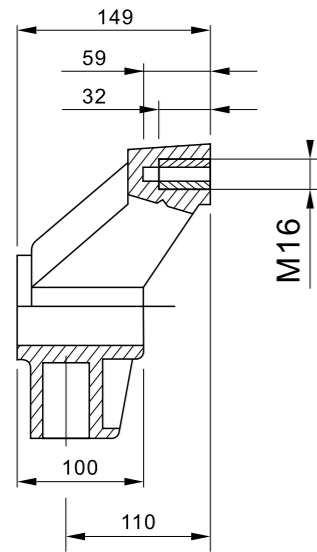


Type	Reference	Material	hole diameter \varnothing mm	Kg
Bipod base	HS-P401A-48.3	Pa66 Nylon +Copper	48.3	1.075
	HS-P401A-50.9		50.9	1.070
	HS-P401A-60.3		60.3	1.025

Accessories



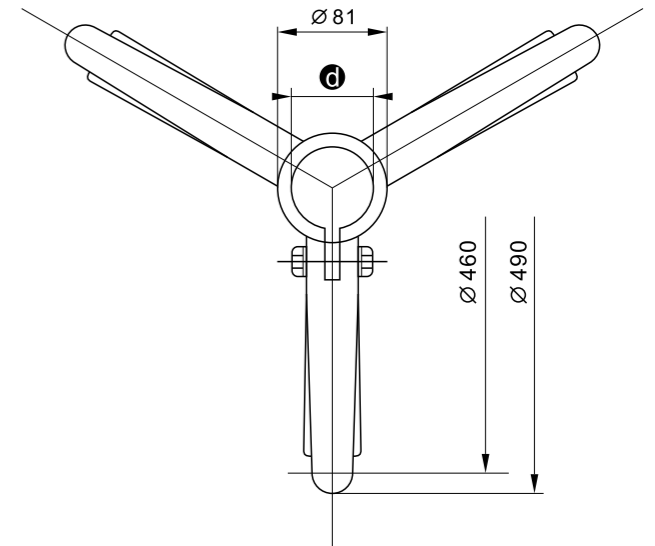
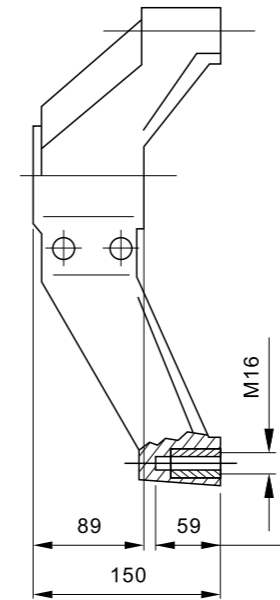
Type	Reference	Material	hole diameter \varnothing mm	Kg
Bipod and a half 120°C base	HS-P402A-48.3	Pa66 Nylon +Copper	48.3	1.290
	HS-P402A-50.9		50.9	1.285
	HS-P402A-60.3		60.3	1.240



Accessories



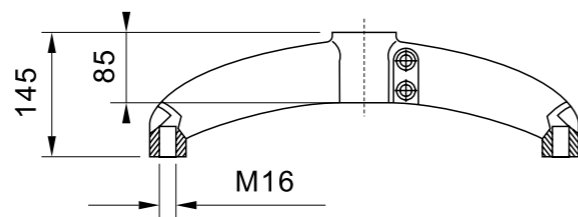
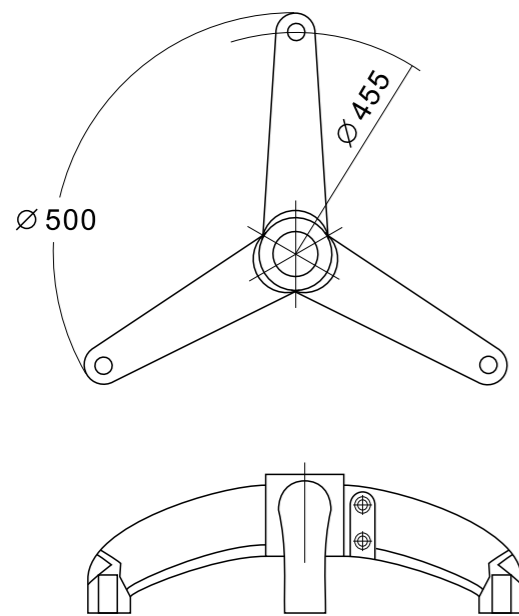
Type	Reference	Material	hole diameter \varnothing mm	Kg
Tripod base	HS-P403A-48.3	Pa66 Nylon +Copper	48.3	1.396
	HS-P403A-50.9		50.9	1.390
	HS-P403A-60.3		60.3	1.380



Accessories



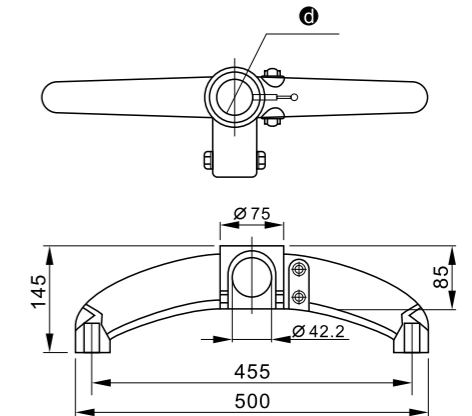
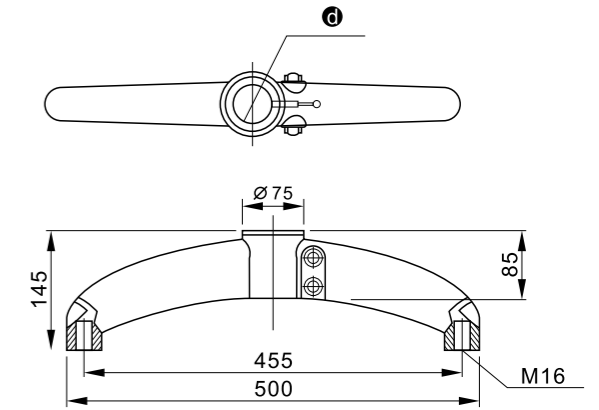
Type	Reference	Material	hole diameter \varnothing mm	Kg
Tripod base B	HS-P403B-48.3	Pa66 Nylon +Copper	48.3	1.396
	HS-P403B-50.9		50.9	1.390
	HS-P403B-60.3		60.3	1.380



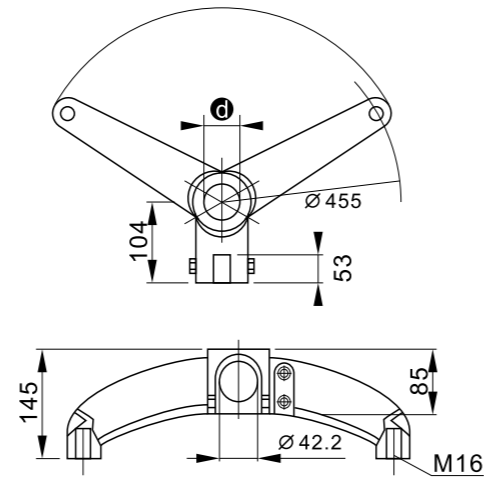
Accessories



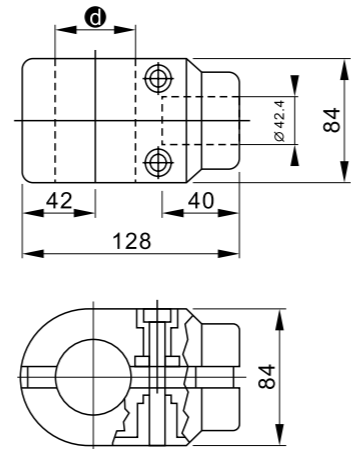
Type	Reference	Material	hole diameter \varnothing mm	Kg
Bipod base	HS-P401B-48.3	Pa66 Nylon +Copper	48.3	1.080
	HS-P401B-50.9		50.9	1.070
	HS-P401B-60.3		60.3	1.030



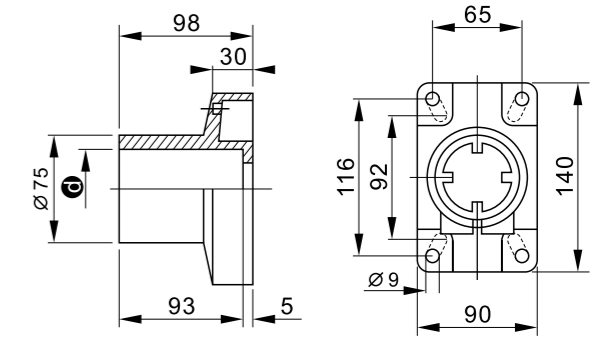
Type	Reference	Material	hole diameter \varnothing mm	Kg
Bipod and a half 180°C base	HS-P402B-48.3	Pa66 Nylon +Copper	48.3	1.290
	HS-P402B-50.9		50.9	1.270
	HS-P402B-60.3		60.3	1.260



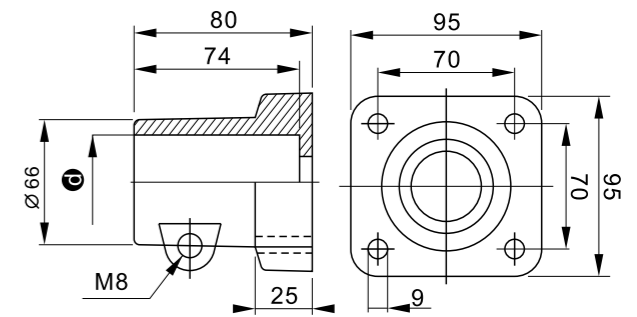
Type	Reference	Material	hole diameter \varnothing mm	Kg
Bipod and a half 120°C base	HS-P402C-48.3	Pa66 Nylon +Copper	48.3	1.290
	HS-P402C-50.9		50.9	1.270
	HS-P402C-60.3		60.3	1.260



Type	Reference	Material	hole diameter \varnothing mm	Kg
Three-way connector for stabilizer blade	HS-P501-48.3	Pa66 Nylon	48.3	0.292
	HS-P501-50.9		50.9	0.286
	HS-P501-60.3		60.3	0.249

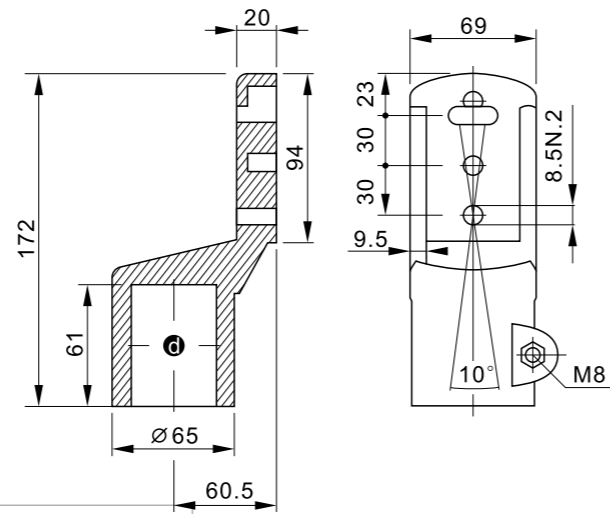


Type	Reference	Material	hole diameter \varnothing mm	Kg
Towing bracket	HS-P502-48.3	Pa66 Nylon	48.3	0.380
	HS-P502-50.9		50.9	0.380
	HS-P502-60.3		60.3	0.350

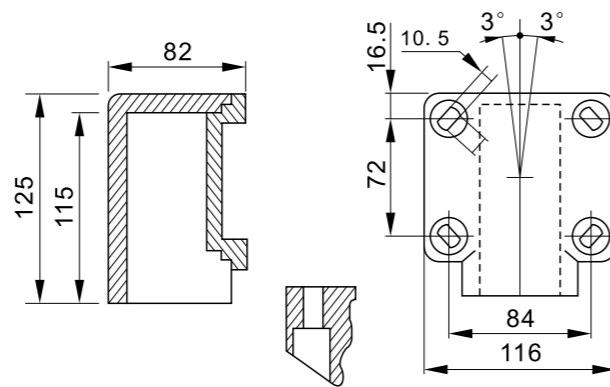


Type	Reference	Material	hole diameter \varnothing mm	Kg
Square towing bracket	HS-P503-48.3	Pa66 Nylon	48.3	0.250
	HS-P503-50.9		50.9	0.240

Accessories

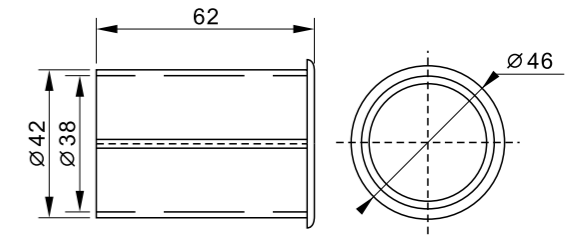


Type	Reference	Material	hole diameter \varnothing mm	Kg
Medium lateral supporter	HS-P504-48.3	Pa66 Nylon	48.3	0.315
	HS-P504-50.9		50.9	0.310

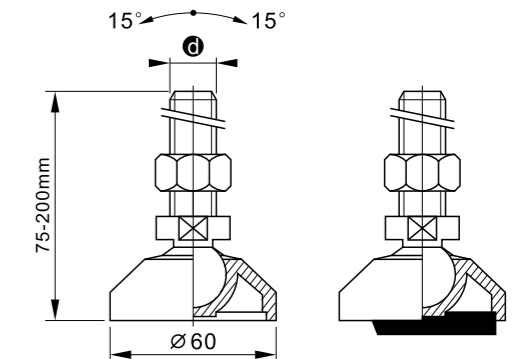


Type	Reference	Material	hole diameter \varnothing mm	Kg
Wide-brimmed lateral tapered end	HS-P505-48.3	Pa66 Nylon	48.3	0.522
	HS-P505-50.9		50.9	0.530
	HS-P505-60.9		60.3	0.492

Accessories

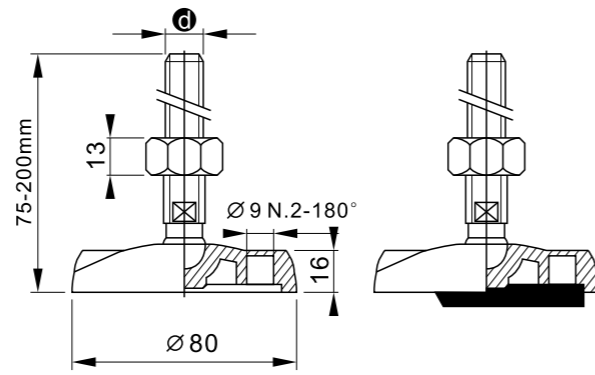


Type	Reference	Material	hole diameter \varnothing mm	Kg
Bushing	HS-P506	Pa66 Nylon	38	0.015

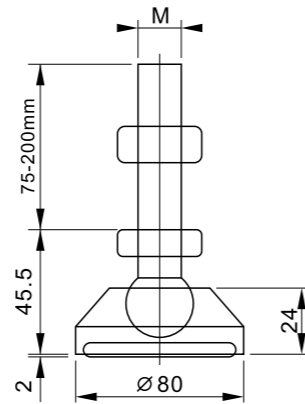


Type	Reference	screw diameter M	screw length L	Material	Kg
Low pin	HS-P700-1650	M16	50	Pa66 Nylon + Various metal bolts	0.26
	HS-P700-1670		75		0.30
	HS-P700-16100		100		0.34
	HS-P700-16150		150		0.40
	HS-P700-20100	M20	100		0.43
	HS-P700-20150		150		0.52
	HS-P700-24100	M24	100		0.60
	HS-P700-24150		150		0.70

Accessories

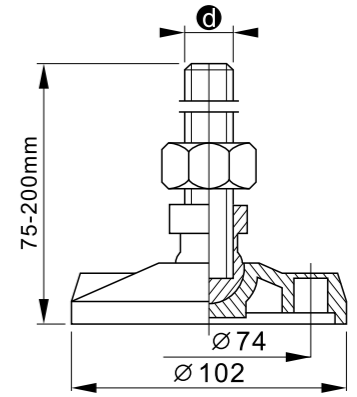


Type	Reference	screw diameter M	screw length L	Material	Kg
Low pin	HS-P701A-1650	M16	50	Pa66 Nylon +Various metal bolts	0.25
	HS-P701A-1670		75		0.30
	HS-P701A-16100		100		0.34
	HS-P701A-16150		150		0.40
	HS-P701A-20100	M20	100		0.43
	HS-P701A-20150		150		0.52
	HS-P701A-24100	M24	100		0.60
	HS-P701A-24150		150		0.70

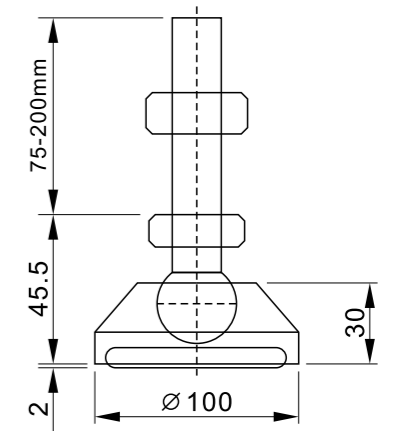


Type	Reference	screw diameter M	screw length L	Material	Kg
Low pin	HS-P701B-1650	M16	50	Pa66 Nylon +Various metal bolts	0.29
	HS-P701B-1670		75		0.32
	HS-P701B-16100		100		0.34
	HS-P701B-16150		150		0.41
	HS-P701B-20100	M20	100		0.51
	HS-P701B-20150		150		0.61
	HS-P701B-24100	M24	100		0.68
	HS-P701B-24150		150		0.74

Accessories

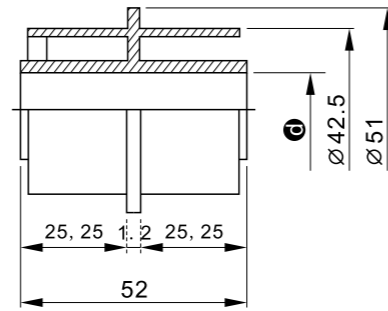


Type	Reference	screw diameter M	screw length L	Material	Kg
Low pin	HS-P702A-1675	M16	75	Pa66 Nylon +Various metal bolts	0.30
	HS-P702A-16100		100		0.35
	HS-P702A-16150		150		0.40
	HS-P702A-20100		M20		100
	HS-P702A-20150	150			0.55
	HS-P702A-24100	M24	100		0.61
	HS-P702A-24150		150		0.70
	HS-P702A-24200	200	0.85		

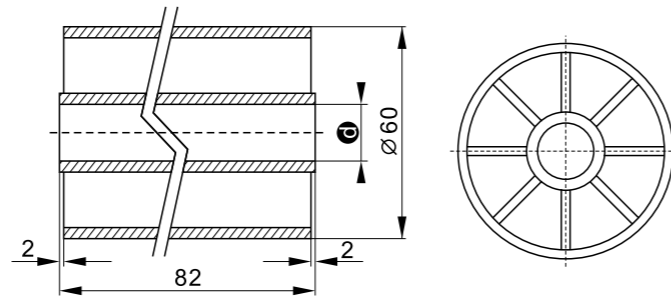
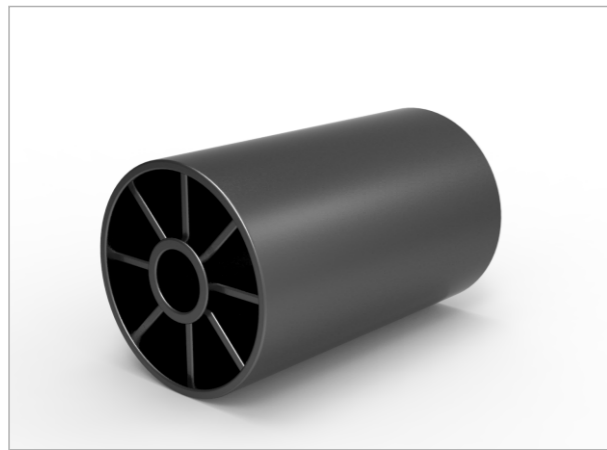


Type	Reference	screw diameter M	screw length L	Material	Kg
Low pin	HS-P702B-1675	M16	75	Pa66 Nylon +Various metal bolts	0.38
	HS-P702B-16100		100		0.40
	HS-P702B-16150		150		0.47
	HS-P702B-20100		M20		100
	HS-P702B-20150	150			0.60
	HS-P702B-24100	M24	100		0.70
	HS-P702B-24150		150		0.80
	HS-P702B-24200	200	0.90		

Accessories

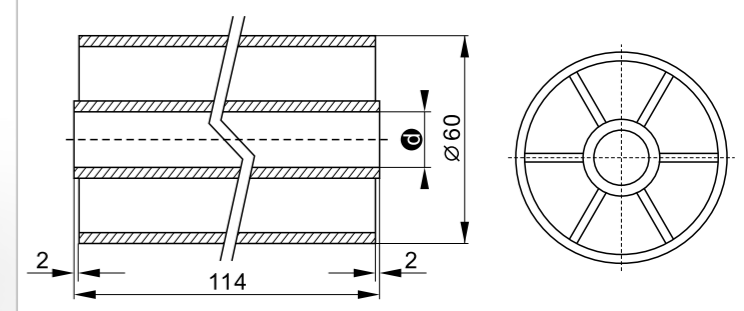


Type	Reference	Material	hole diameter \varnothing mm	Kg
Towing wheel B-4	HS-P612-16	Nylon	16	0.040
	HS-P612-20		20	0.030

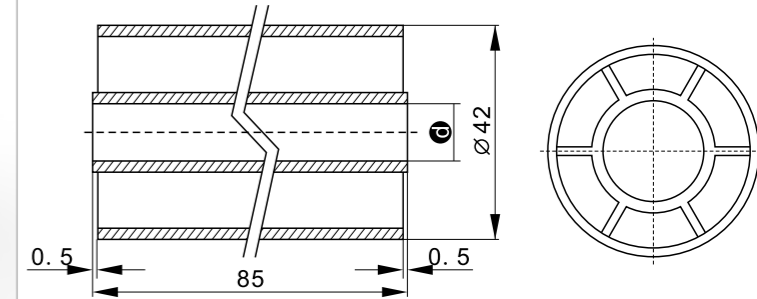
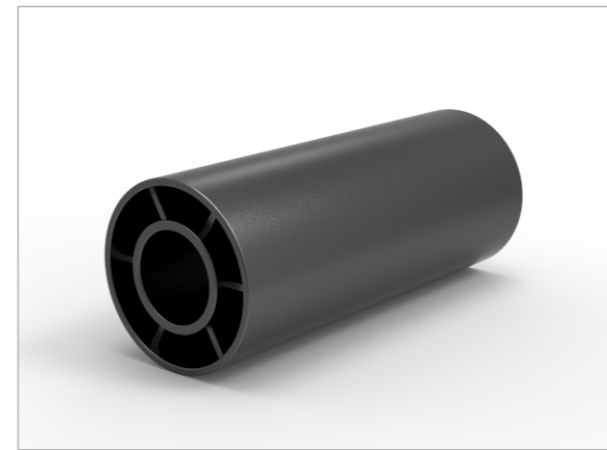


Type	Reference	Material	hole diameter \varnothing mm	Kg
Towing wheel C	HS-P604-16	Nylon	16	0.090
	HS-P604-20		20	0.086

Accessories



Type	Reference	Material	hole diameter \varnothing mm	Kg
Towing wheel D	HS-P605-16	Nylon	16	0.120
	HS-P605-20		20	0.110



Type	Reference	Material	hole diameter \varnothing mm	Kg
Towing wheel G	HS-P610-16	Nylon	16	0.073
	HS-P610-20		20	0.060